

Mixu Counter Stool

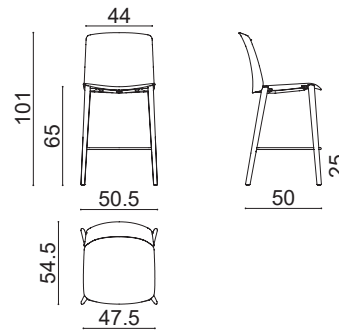
Design in collaboration with Gensler, 2021

Art. 5816

Stool on a four-legged base in solid oak (natural or stained black finish). Seat made of plywood with a reconstituted oak finish (natural or stained black) and polypropylene backrest available in five colours. The finishes of the base, seat and backrest can be freely combined. Seat height 65 cm.



Dimensions *



* File CAD 2D - 3D available for download at www.arper.com

Frame Base



Shell Wood



arper

www.arper.com


info@arper.com


Mixu Counter Stool


Design in collaboration with Gensler, 2021


SHIPMENT DETAILS

Art.5816

1 pz = 1  - kg 10,3/ m³ 0,262

1 pz = 1  - kg 9,65/ m³ 0,398

2 pz = 1  - kg 16,8/ m³ 0,262

4 pz = 1  - kg 30,5/ m³ 0,328

TECHNICAL SPECIFICATIONS

RESISTANCE TEST

FIRE RETARDANT TEST

arper

www.arper.com
info@arper.com

www.arper.com