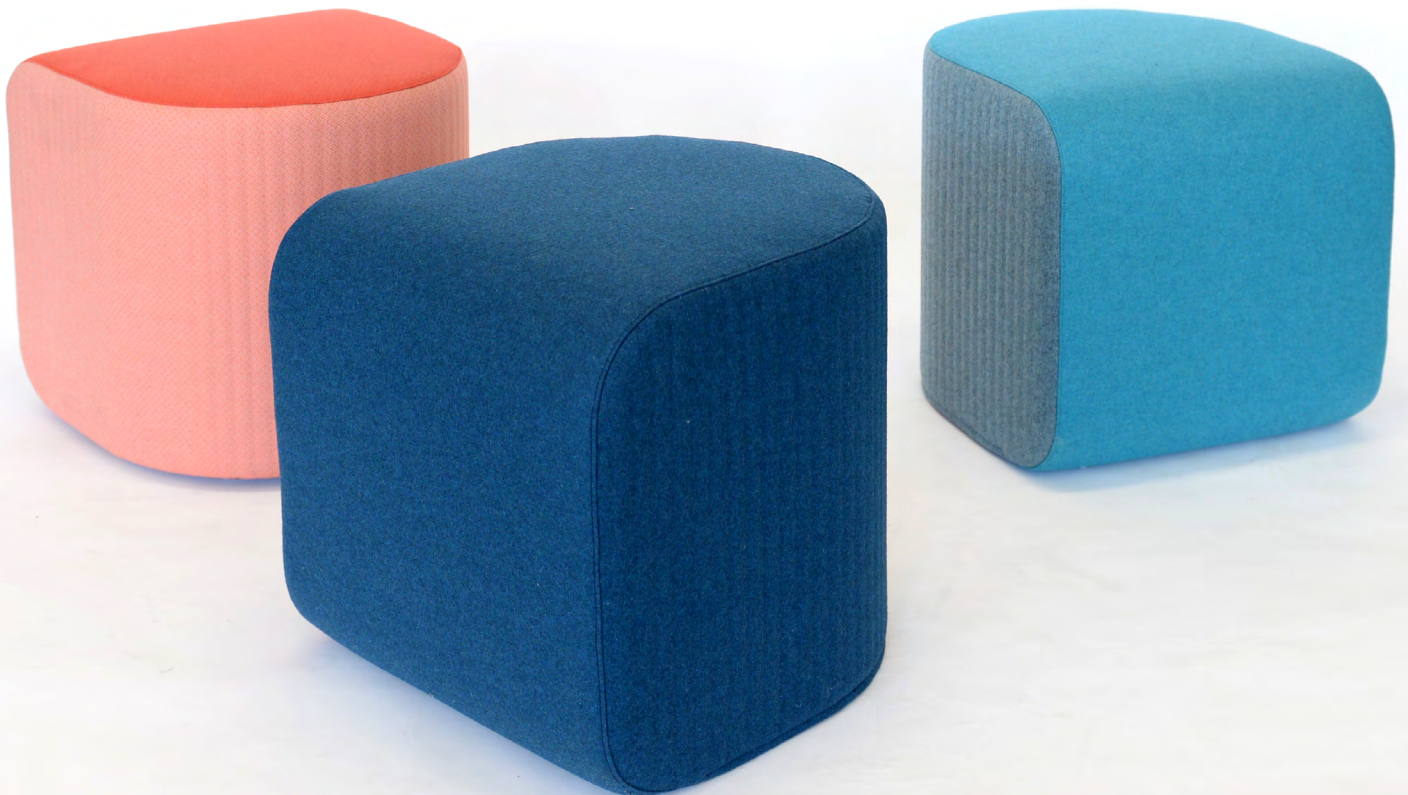

BuzziDee

Product Specification Sheet

This document contains technical information about the BuzziDee Solo, Plus



www.buzzi.space



Versatile series of poufs with exceptional acoustic capabilities






A, B, C, BuzziDee. With this originally-shaped acoustic pouf in the room, you can speak out without worrying about disturbing coworkers thanks to the sound-absorbing capabilities.

Featuring rounded corners on top and below, BuzziDee's eye-catching curvature adds structural integrity. You can also experience maximum comfort by choosing BuzziDee Plus, the new member of this family with upholstered backrest.

Cluster different BuzziDee to create a cheerful break out zone or an informal meeting area.

Design by BuzziSpace Studio

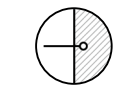
General

-  BuzziDee
Solo | Plus
-  Filling: Acoustic Foam
Bottom: Antiskid, Wood, Plastic Feet or Wheels
-  Dry usage
-  Assembled
-  Bicolor: in same fabric collection

Certifications



Acoustics



Absorption



Diffusion



Low Tones



Mid Tones



High Tones

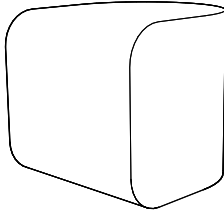
Content

Configurations	3
Components	4
Options	5
Fabrics	6
Dimensions	9
Acoustics	12

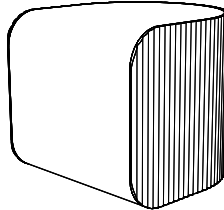
Configurations

BuzziDee Solo

Flat



3D Rib Side



Solo

- Bottom: Antiskid or Wood
- Pattern: Flat, 3D Rib Side

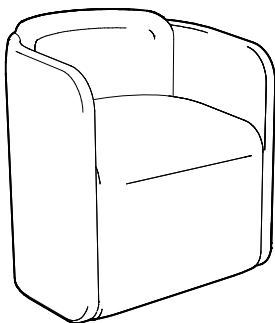
- Upholstery in Fabric, Trevira CS+ | CS, Revive 1, Clara 2, Remix 3, Velvet, Hero 2, Tonus 4, Memory 2 (Velvet not possible for 3D)

- | | |
|------------------------|------------------------|
| Antiskid | Wood |
| Length: 50 cm 19.69" | Length: 50 cm 19.69" |
| Width: 53 cm 20.87" | Width: 53 cm 20.87" |
| Height: 48 cm 18.90" | Height: 50 cm 19.69" |

- | | |
|-----------------|-----------------|
| Antiskid | Wood |
| 4 kg 8.82 lbs | 6 kg 13.23 lb |

- ... Bicolor: in same fabric collection

BuzziDee Plus



Plus

- Bottom: Plastic Feet or Wheels
- Upholstery in Fabric, Trevira CS+ | CS, Revive 1, Clara 2, Remix 3, Hero 2, Tonus 4, Memory 2

- | | |
|--------------------------|--------------------------|
| Plastic Feet | Wheels |
| Length: 57,5 cm 22.64" | Length: 57,5 cm 22.64" |
| Width: 57 cm 22.44" | Width: 57 cm 22.44" |
| Height: 76 cm 29.92" | Height: 76 cm 29.92" |

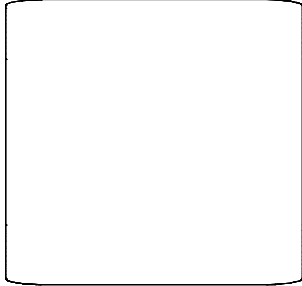
- | | |
|---------------------|---------------------|
| Plastic Feet | Wheels |
| 19 kg 41.89 lbs | 18,5 kg 40.79 lbs |

- ... Bicolor: in same fabric collection
- Tablet (Left or Right)

Components

Bottom Solo

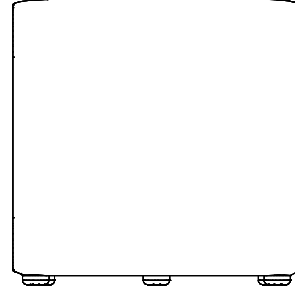
Antiskid



Bottom: Antiskid



Wood



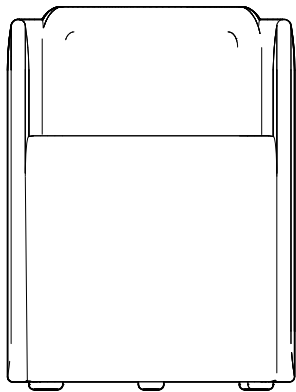
Bottom: Black MDF
5 Plastic Feet

5x



Bottom BuzziDee Plus

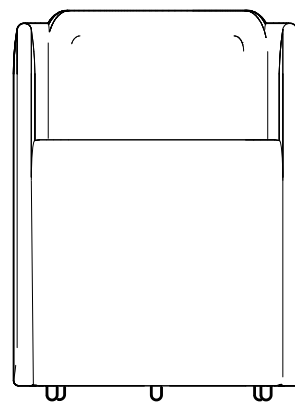
Plastic Feet



Bottom: Black Textile
5 Plastic Feet



Wheels



Bottom: Black Textile
5 Wheels



Options

Tablet

Tablet Left



Tablet Right



Left or Right

BuzziDee Plus Tablet with rotating top in
Ash Black Stained.

Powder coated metal in black (RAL 9005)

Width 21 cm | 8.27"

Length 24 cm | 9.45"

Height 63 cm | 24.80"

1,6 kg | 3.53 lbs

(only available for BuzziDee Plus)

Bicolor

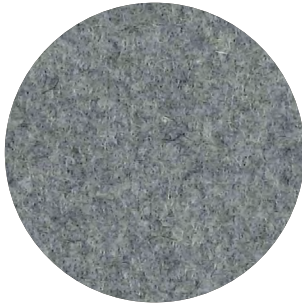
Different color side / Top & Front in same category,
same collection



Fabrics

Upholstery in Fabric, Trevira CS+ | CS, Revive 1, Clara 2, Remix 3, Velvet, Hero 2, Tonus 4, Memory 2
(Velvet not possible for 3D & Dee Plus)

Fabric (45 colors)



Category A

Composition 70% Recycled Wool, 25% Recycled Polyacryl,
5% Recycled Other Fabrics

Weight 405 g/m² | 11.94 oz/yd²

Abrasion resistance 40.000 Martindale, 50,000 Wyzenbeek

Flammability EU: EN 1021.1/2006 | BS EN 1021.1/2006 (cigarette).

EN 1021.2/2006 | BS EN 1021.2/2006 (match)

USA: CAL TB 117 | ASTM E84 CLASS A

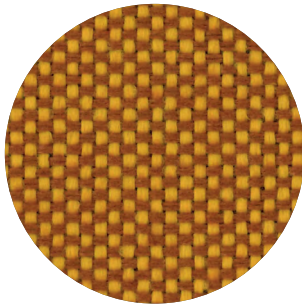
Fastness to light EU: 4 | USA 4

Fastness to rubbing EU: Wet 3-4 | Dry 4-5

Fastness to crocking USA: Wet 5 | Dry 5



Trevira CS+ | CS (47 colors)



Category A

Weight 420 g/m² | 12.39 oz/yd²

Composition 100% Polyester, Trevira CS

Abrasion resistance 100.000 Martindale, 90,000 Wyzenbeek

Flammability BS 5852 part II: CRIB 5 | BS 7176 Medium Hazard

USA: CAL TB 117 | M1 | B1 | EN 1021/1-2 | C1 |

IMO Res. A652 (16)

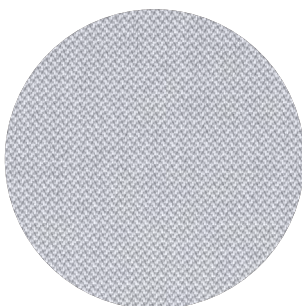
Fastness to light EU: 6 | USA 5

Fastness to rubbing EU: Wet 4-5 | Dry 4-5

Fastness to crocking USA: Wet 5 | Dry 5



Revive 1 (25 colors)



Category A

Composition 100% recycled polyester FR

Weight 430 g/lin.m

Abrasion resistance 60.000 Martindale rubs, EN ISO 12947

Flammability EN 1021-1/2 | DIN 4102 B1 | Önorm B1/Q1

UNI 9175 1IM | US Cal. Tech. Bull. 117

IMO A.652 (16)

Fastness to light Note 5-7, ISO 105-B02

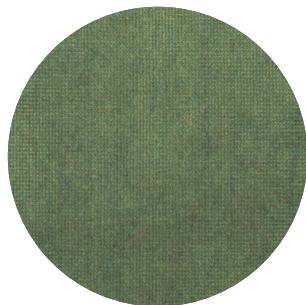
Fastness to rubbing (ISO) dry 5, wet 4-5

Pilling Note 4-5, EN ISO 12945



kvadrat

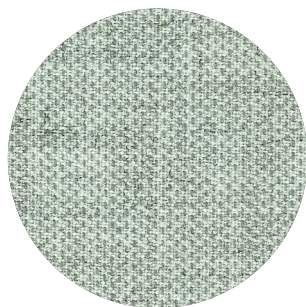
Velvet (not for 3D or Plus) (12 colors)



Category B
Composition 100% PES
Weight 375 g/m² | 11.06 oz/yd²
Abrasion resistance > 100.000 Martindale
Fastness to light EU: 4-5
Fastness to rubbing EU: Wet 4 | Dry 4-5
Pilling EU: 4-5

Clara 2 (24 colors)

kvadrat



Category B
Composition 92% new wool, 8% nylon
Weight 400 g/lin.m
Abrasion resistance 80.000 Martindale rubs, EN ISO 12947
Flammability EN 1021-1/2 | BS 5852, ignition source 2-3 | DIN 4102 B2
NF D 60 013 | UNI 9175 1IM | US Cal. Tech. Bull. 117, Sec. E
NFPA 260 | IMO A.652(16)
Fastness to light Note 5-7, ISO 105-B02
Fastness to rubbing (ISO) dry 4-5, wet 4
Pilling Note 4, EN ISO 12945



Remix 3 (73 colors)

kvadrat

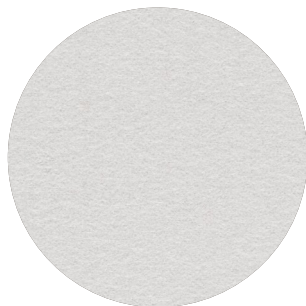


Category B
Composition 90% new wool, 10% nylon
Weight 415 g/lin.m
Abrasion resistance 100.000 Martindale rubs, EN ISO 12947
Flammability EN 1021-1/2 | BS 5852 part 1
Önorm B1/Q1 | NF D 60 013 | UNI 9175, 1IM
AS/NZS 1530.3 | Cal. Tech. Bull. 117-2013
NFPA 260 | IMO FTP Code 2010:Part 8
Fastness to light Note 5-7, ISO 105-B02
Fastness to rubbing (ISO) dry 4-5, wet 4
Pilling Note 4, EN ISO 12945



Hero 2 (33 colors)

kvadrat



Category C
Composition 97% new wool, 3% nylon
Weight 580 g/lin.m
Abrasion resistance 45.000 Martindale rubs, EN ISO 12947
Flammability EN 1021-1/2 | DIN 4102 B2 | NF D 60 013
UNI 9175 1IM | US Cal. Bull. 117-2013 | NFPA 260
IMO A.652 (16)
Fastness to light Note 5-6, ISO 105-B02
Fastness to rubbing (ISO) dry 4-5, wet 4-5
Pilling Note 3-4, EN ISO 12945



Tonus 4 (47 colors)

kvadrat



Category D

Composition 90% new wool, 10% Helanca

Weight 665 g/lin.m

Abrasion resistance 100.000 Martindale rubs, EN ISO 12947

Flammability EN 1021-1/2 | BS 5852 part 1 | DIN 4102 B2

Önorm B1/Q1 | NF D 60 013 | UNI 9175 11M

US Cal. Bull. 117-2013 | NFPA 260 | IMO A.652 (16)

Fastness to light Note 5-7, ISO 105-B02

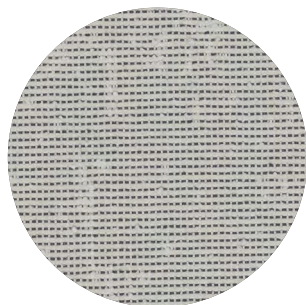
Fastness to rubbing (ISO) dry 3-5, wet 3-5

Pilling Note 3, EN ISO 12945



Memory 2 (20 colors)

kvadrat



Category E

Composition 100% Trevira CS

Weight 700 g/lin.m

Abrasion resistance

35.000 rubs acc. to the Martindale method, EN ISO 12947

Flammability EN 1021-1/2 | DIN 4102 B1 | Önorm B1/Q1

NF D 60 013 | NF P 92 507 M1 | UNI 9175 11M

UNI 9177 classe 1 | US Cal. Tech. Bull. 117

IMO A.652 (16)

Fastness to light Note 5-8, ISO 105-B02

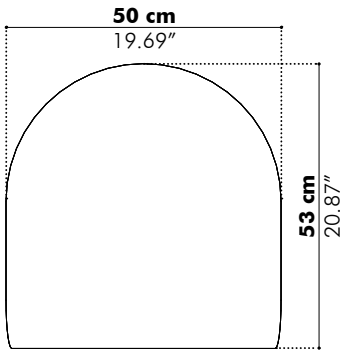
Fastness to rubbing (ISO) dry 4-5, wet 4-5

Pilling Note 4, EN ISO 12945

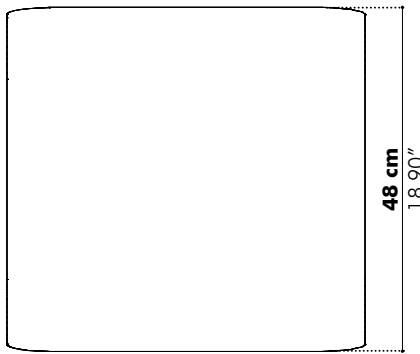


Dimensions

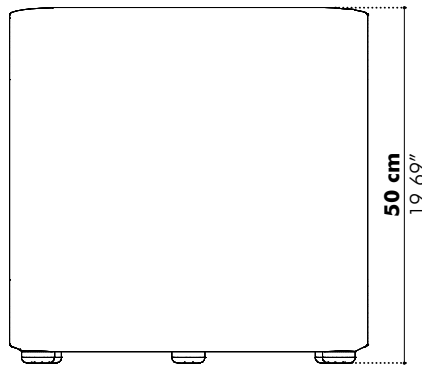
Solo



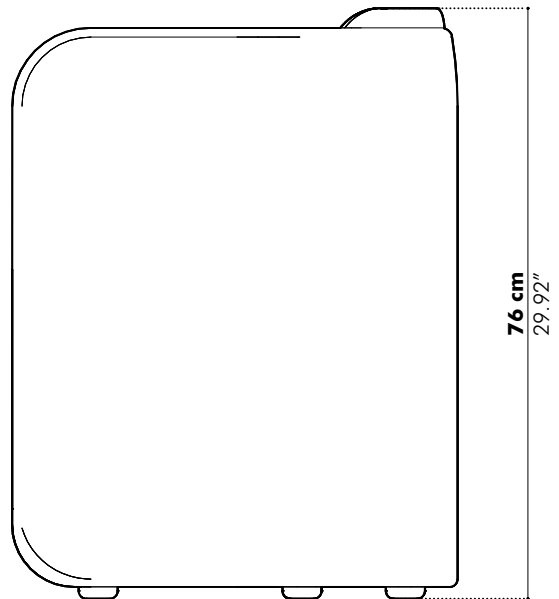
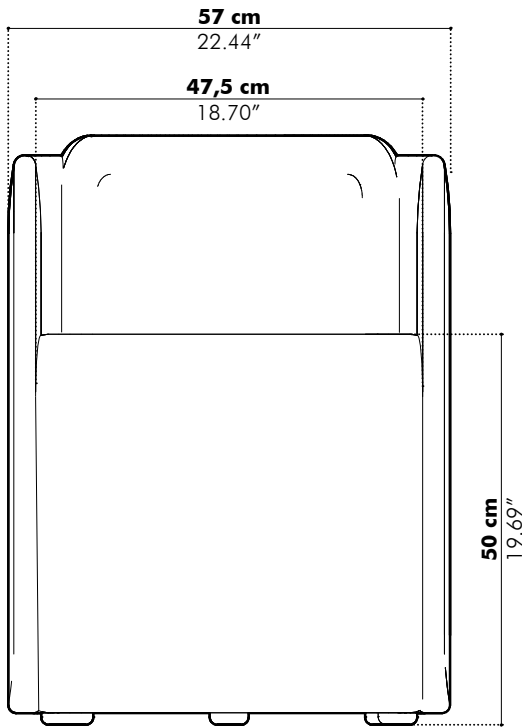
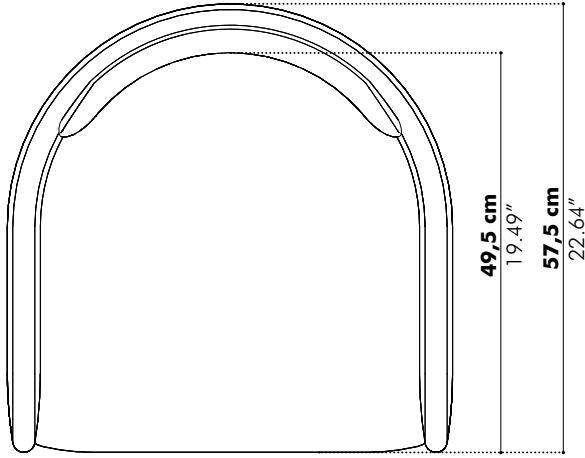
Antiskid



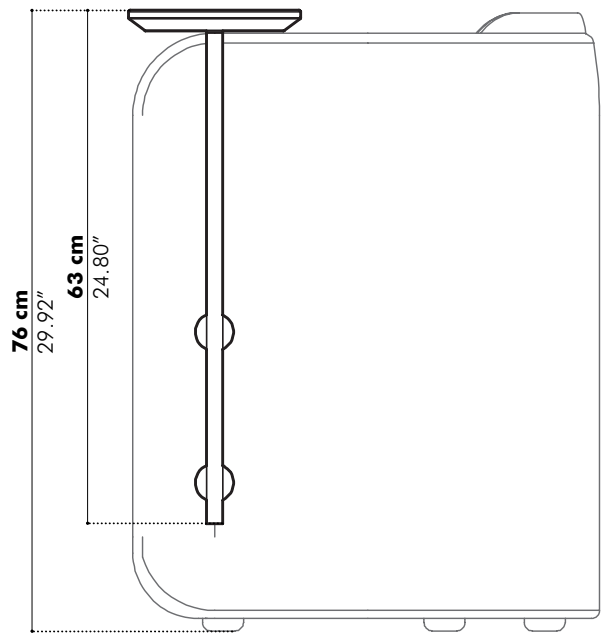
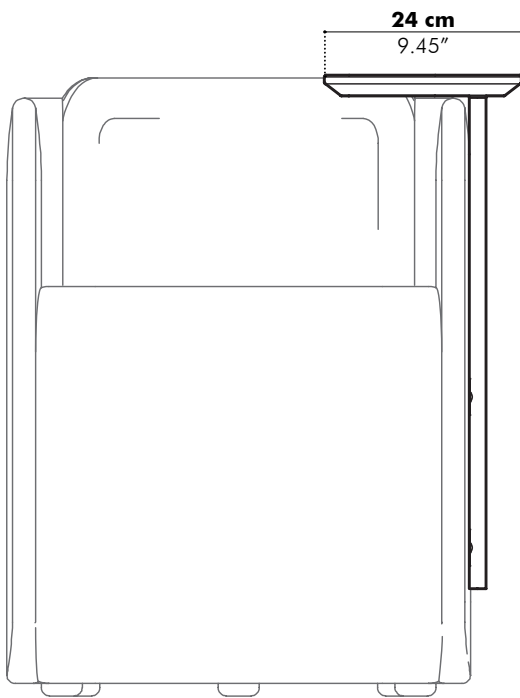
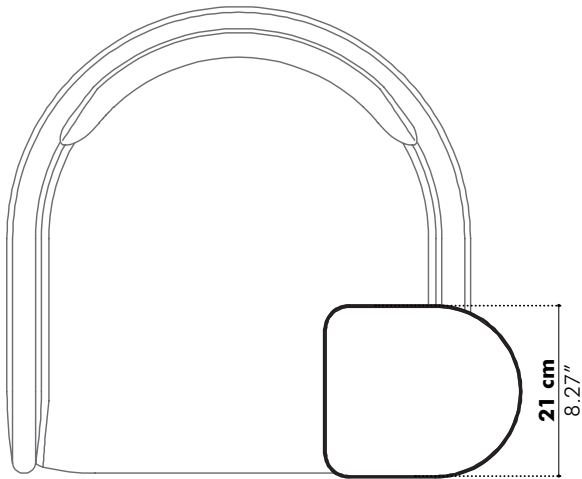
Wood



Plus



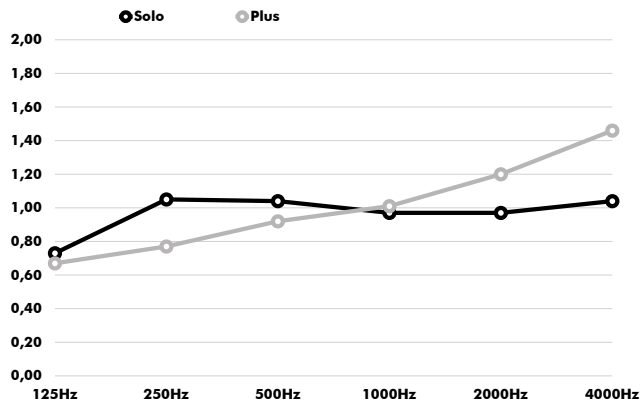
Tablet (optional for Dee Plus)



Acoustics

BuzziDee

Equivalent sound absorption area in m² per object



Hz	Solo Aeq/m ²	Plus Aeq/m ²
125	0.73	0.67
250	1.05	0.77
500	1.04	0.92
1000	0.97	1.01
2000	0.97	1.20
4000	1.04	1.46