

Aava 02 Counter Stool

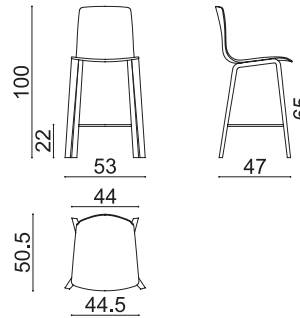
Design by Antti Kotilainen, 2023

Art. 7607

Stool on a 4-leg base in plywood with a reconstituted oak or walnut finish. Shell in polypropylene made with post-consumer recycled materials, mixed with virgin material, available in 5 colours. Glides are also available, with felt insert for wood floors. Seat height 65 cm.

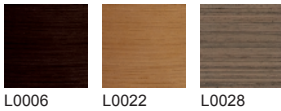


Dimensions *



* File CAD 2D - 3D available for download at www.arper.com

Frame Base



Shell

Polypropylene



arper

info@arper.com

www.arper.com

Aava 02 Counter Stool

Design by Antti Kotilainen, 2023

Accessories:




Seat cushion Art. 7641

SHIPMENT DETAILS

Art.7607

1 pz = 2  - kg 8,25/ m³ 0,325

4 pz = 5  - kg 30/ m³ 1,07

TECHNICAL SPECIFICATIONS

RESISTANCE TEST

FIRE RETARDANT TEST

arper

www.arper.com

info@arper.com