

Adell

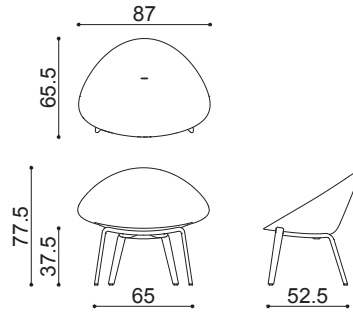
Design by Lievore + Altherr Désile Park, 2020

Art. 6806

Lounge chair on a four-legged base in plywood with a reconstituted natural or dyed oak finish. Polypropylene shell with distinctive texture made with 80% recycled materials, available in four colours.



Dimensions *



* File CAD 2D - 3D available for download at www.arper.com

Frame Base



L0006



L0022

Shell

arper

www.arper.com

info@arper.com

Adell

Design by Lievore + Altherr Désile Park, 2020


Accessories:


Cushion - Indoor Art. 6809

Front removable cushion -
Indoor Art. 6811

SHIPMENT DETAILS

Art.6806

1 pz = 2  - kg 12,2/ m³ 0,457

4 pz = 2  - kg 34,4/ m³ 0,809

RESISTANCE TEST

- EN 1728:2012 - EN 16139:2013 6.10
- EN 1728:2012 - EN 16139:2013 6.15
- EN 1728:2012 - EN 16139:2013 6.17
- EN 1728:2012 - EN 16139:2013 6.20
- EN 1728:2012 - EN 16139:2013 6.25
- EN 1728:2012 - EN 16139:2013 6.4
- EN 1022:2018

- EN 1728:2012 - EN 16139:2013 6.11
- EN 1728:2012 - EN 16139:2013 6.16
- EN 1728:2012 - EN 16139:2013 6.18
- EN 1728:2012 - EN 16139:2013 6.24
- EN 1728:2012 - EN 16139:2013 6.26
- EN 1728:2012 - EN 16139:2013 6.5
- EN 1728:2012 - EN 12520:2015 5.4.2

TECHNICAL SPECIFICATIONS

FIRE RETARDANT TEST

arper

www.arper.com

info@arper.com