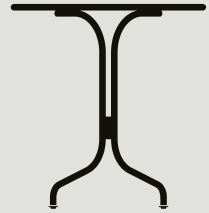


Instructions

Thorvald SC96-SC97 Space Copenhagen 2024



Please read these instructions carefully and retain them for future reference to ensure the product is used correctly. For your own safety, please study each step of this instruction manual first. &Tradition is not responsible for any faults or damage caused by not following these instructions correctly. Do not modify this product in any way. If you have any questions or comments, please do not hesitate to contact us by mail on: info@andtradition.com

&Tradition[®]

Thorvald SC96-SC97

Space Copenhagen

2024

Safety precautions

- Dispose of plastic bag from packaging immediately and keep out of reach of children.
- All assembly must be done on a soft underlay e.g. a carpet to avoid scratching the parts while assembling.

Contents

- A** Leg 1x
- B** Leg 1x
- C** Screw 8x
- D** Screw 1x
- E** Table top 1x
- F** Spacer 8x
- G** Adjustable Glider - premounted 4x

Tools needed

- Allen Key

Cleaning instructions

Cleaning and maintaining powder coated steel outdoor furniture is essential to ensure its longevity and keep it looking its best. Follow this guide to properly clean and maintain your powder coated steel furniture:

- Regular Cleaning:

Start by removing loose dirt and debris from the furniture using a soft brush or a dry cloth. Gently brush off any leaves, dust, or dirt particles.

Mix a mild detergent with warm water in a bucket.

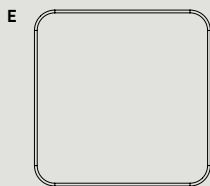
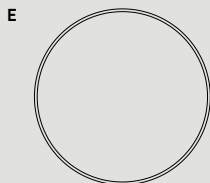
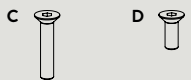
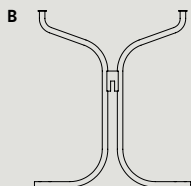
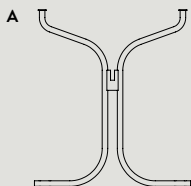
Avoid using abrasive cleaners or chemicals that may damage the powder coating.

Dip a soft sponge or cloth into the soapy water and gently scrub the furniture's surfaces.

Rinse thoroughly with clean water to remove any soap residue. Dry the furniture with a clean, soft towel or allow it to air dry completely before using it again.

- Stain Removal:

For stubborn stains, you can use a non-abrasive cleaner specifically designed for powder coated surfaces. Follow the manufacturer's instructions carefully. Avoid using abrasive scrubbers, steel wool, or harsh chemicals, as they can scratch or damage the powder coating.



- Rust Prevention:

Powder coated steel furniture is resistant to rust, but scratches or chips in the coating can expose the metal to moisture and increase the risk of rust formation.

Regularly inspect your furniture for any signs of chipped or scratched areas. If you notice any, use touch-up paint or a clear protective coating recommended by the furniture manufacturer to seal the exposed metal.

Promptly address any damage to the powder coating to prevent rust from spreading. The sooner you repair it, the better.

- Protective Measures:

During harsh weather conditions or when not in use for an extended period, consider covering your powder coated steel furniture with a waterproof furniture cover. This will protect it from excessive exposure to rain, snow, and UV rays, reducing the risk of fading or damage.

If you live in a coastal area or near a pool, rinse your furniture regularly with fresh water to remove salt or chlorine residue, which can be corrosive.

- Avoiding Scratches:

To prevent scratches, avoid dragging or sliding heavy objects across the furniture's surface.

Use felt or rubber pads on the bottom of any items that come into contact with the furniture, such as planters or decorative objects, to minimize the risk of scratches.

- Regular Inspections:

Periodically inspect your powder coated steel furniture for any signs of damage, such as chipping, scratching, or rust. Address these issues promptly to prevent further deterioration.

By following these cleaning and maintenance practices, you can keep your powder coated steel outdoor furniture in excellent condition and extend its lifespan.

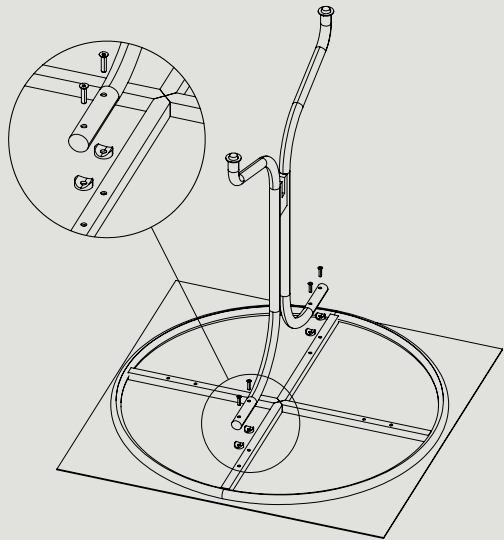
Please follow steps 1-4 to assemble the product.

Step 1 / 4

Open the tabletop (E) and assemble everything inside the package.

Take then leg (A) and place it onto the appointed holes with the spacers (F) in-between.

Connect the table top with the leg using screw (D).

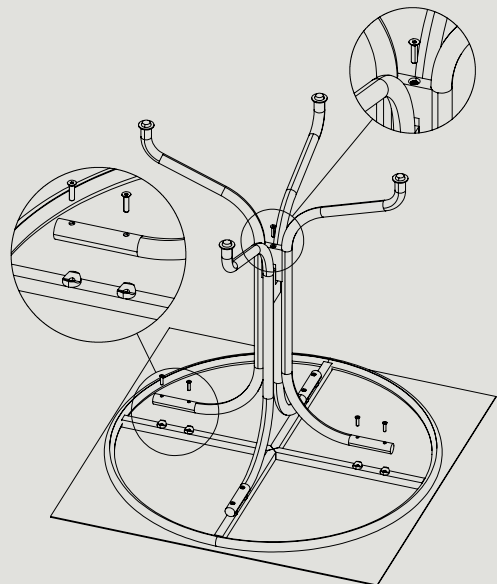


Step 2 / 4

Take then leg (B) and place it onto the appointed holes with the spacers (F) in-between.

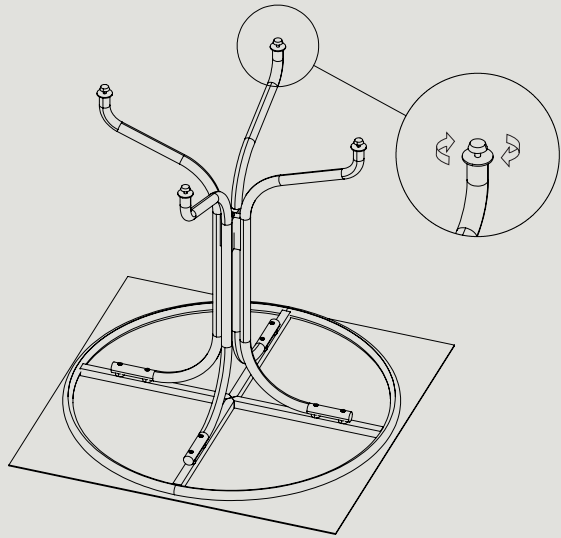
Connect the table top with the leg using screw (D).

Finally connect the whole construction in the center (C) using screw (C).



Step 3 / 4

The adjustable gliders (G) are pre-mounted. Adjust them by screwing the gliders in/out to stabilize the table for uneven ground surfaces.



Step 4 / 4

Lastly flip the table over carefully and adjust the gliders (G) as shown in step 3.

