

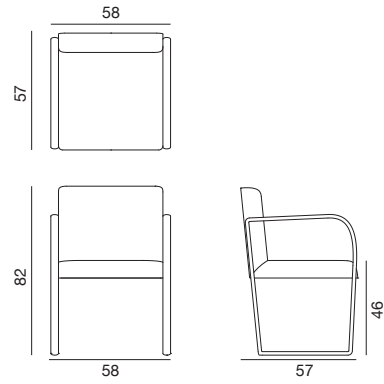
,

## Art. 6100

Chair with sled base and integrated armrests made of powder-coated aluminum. Shell in metal and plywood is upholstered in leather, coated fabric, fabric or customer's material. Arper grade: CHAIR



### Dimensions \*



\* File CAD 2D - 3D available for download at [www.arper.com](http://www.arper.com)

Shell

arper

info@arper.com

www.arper.com

# Arcos Chair

## Design by Jean-Marie Massaud, 2006


---


USB Art. 6001

---

### SHIPMENT DETAILS

#### Art.1925

1 pz = 1  - kg 27,5/ m<sup>3</sup> 0,715

1 pz = 1  - kg 13/ m<sup>3</sup> 0,352

---

### TECHNICAL SPECIFICATIONS

#### Art.1925

COL requirement m<sup>2</sup> 4.08

H 140 cm. COM Meterage m 1.88

#### Art.6100

COL requirement m<sup>2</sup> 2.4

H 140 cm. COM Meterage m 1.52

\*Classe 1, 2, 11M: fire retardant version available with surcharge and eventual minimum batch

---

### RESISTANCE TEST

- EN 1728:2012 - EN 16139:2013 6.10
- EN 1728:2012 - EN 16139:2013 6.15
- EN 1728:2012 - EN 16139:2013 6.17
- EN 1728:2012 - EN 16139:2013 6.20
- EN 1728:2012 - EN 16139:2013 6.25
- EN 1728:2012 - EN 16139:2013 6.4
- EN 1022:05
- EN 1728:2012 - EN 16139:2013 6.13.1
- EN 1728:2012 - EN 16139:2013 6.11
- EN 1728:2012 - EN 16139:2013 6.16
- EN 1728:2012 - EN 16139:2013 6.18
- EN 1728:2012 - EN 16139:2013 6.24
- EN 1728:2012 - EN 16139:2013 6.26
- EN 1728:2012 - EN 16139:2013 6.5
- EN 1728:2012 - EN 16139:2013 6. 6

---

### FIRE RETARDANT TEST

---

### ENVIRONMENTAL CERTIFICATIONS



arper

www.arper.com  
info@arper.com


# Aston

## Design by Jean-Marie Massaud, 2006

---

### SHIPMENT DETAILS

Art.1925

1 pz = 1  - kg 27,5/ m³ 0,715

### TECHNICAL SPECIFICATIONS

Art.1925

COL requirement m² 4.08

H 140 cm. COM Meterage m 1.88

### RESISTANCE TEST

### FIRE RETARDANT TEST

---

### ENVIRONMENTAL CERTIFICATIONS



arper

www.arper.com  
info@arper.com