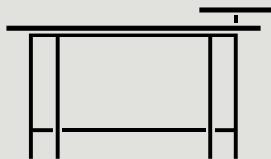


Instructions

Palette JH9 Jaime Hayon 2015

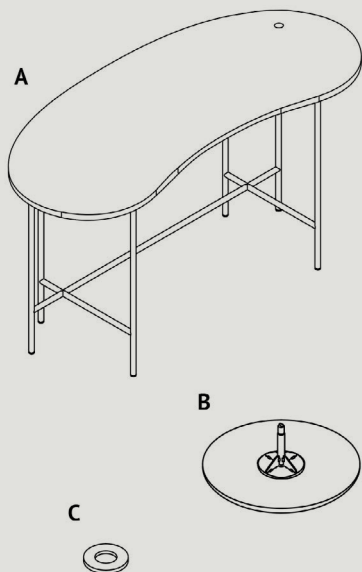


Please read these instructions carefully and retain them for future reference to ensure that the desk is assembled correctly. For your own safety, please study each step of this instruction manual first. &Tradition is not responsible for any faults or damages caused by not following these instructions correctly. If you have any questions or comments, please do not hesitate to contact us by mail on: info@andtradition.com

&Tradition®

Contents

- A Wooden table top and metal legs pre-assembled
- B Small brass/marble table top with threaded rod
- C Washer



Safety precautions

- Dispose of any plastic bags and foam from packaging and do not allow children to play with it.
- The desk is only intended for interior use.
- Handle brass/marble table top with care as brass may bend and get scratched, whereas marble may break.
Please note that marble is very heavy.
- Spilled liquids of any kind should be removed immediately from the table top as it may penetrate the surface treatment and cause damage to the it.

Cleaning instructions

The Palette desk is made from powder coated steel, ash or walnut veneer and either polished marble or brass. Never use aggressive or abrasive cleaning detergents for any parts of the desk, as this will cause damage.

Wooden table top

Dust table top with a soft cloth. Clean table top with a soft cloth wrung in a solution of water and universal cleaning detergent following the wood grains and dry immediately with a soft cloth, again following the wood grains. Avoid use of abrasive cleaning products such as steel wool or polish. Avoid placing lacquered and stained wood in excessive humidity or heat.

Marble plate

The marble plate is made from natural marble and will therefore have variations in structure and colour. This should not be considered a defect nor a valid reason for claims. The marble is treated with sealer, but it is strongly recommended to use a trivet and never place glasses or cups with liquids directly on to the marble. Spilled liquids will leave permanent stains due to the natural sensitivity of marble. For daily cleaning of the marble top it is recommended to use a cleaning agent specifically developed for stone or marble. It is also highly recommended to do a re-sealing of the marble every second month, using an appropriate sealer developed specifically for stone or marble.

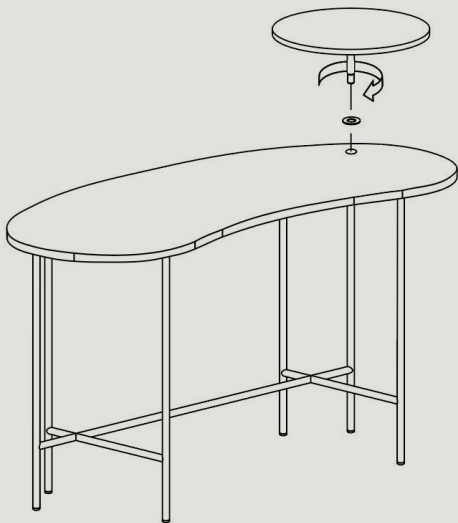
Brass plate

The brass plate is an alloy of copper and zinc, with a very fine grid brushed surface, and coating of Renaissance Wax. The Renaissance Wax provides a barrier to slow ageing and oxidation, but over time the desk will develop a unique and beautiful patina, this is a natural and beautiful part of the life of the brass product. Handling and use of the desk will over time penetrate the protective wax barrier, and the oils in our skin will then cause the table to oxidise more quickly highlighting fingerprints and other wear. To maintain the wax barrier over time, we recommend occasionally reapplying Renaissance Wax. Being brass and therefore a natural product, the plate is still sensitive to liquids and it is strongly recommended to use a trivet and never place glasses or cups with liquids directly on to the brass plate. Spilled liquids may leave permanent stains. To ensure the brass will look beautiful for years to come, please brush the brass plate with a fine grit abrasive brushing pad such as a the 3M Scotch-Brite™ Hand Pad 7447. It is very important to always wipe in the direction of the grain of the brushed surface. After brushing, use a non-aggressive, multipurpose cleaning solvent such as CT1 Multi-Solve, to degrease the product. Apply this with a clean soft cloth following the grain direction. Once the brass has been cleaned, reapply Renaissance Wax to the entire surface, following the manufacturer's instructions, again in the direction of the grain of the brushed surface. Do NOT use ammonia, products containing ammonia, or any other corrosive cleaning solutions as this can damage the brass.

Please follow steps 1 to 4 to assemble the product.

Step 1 / 4

Unpack desk table and washer, avoiding to unpack brass/marble table top yet. Please only remove packing around rod and leave on packing material for the brass/marble table top for protection during assembly.



&Tradition®

Step 2 / 4

Place washer on top of hole in the desk table top.

Step 3 / 4

Mount brass/marble table top on the desk by screwing together rod and desk.

NB: Do not mount by holding the table top, but hold the rod instead. Fix firmly together.

Step 4 / 4

Remove packing material from brass/marble table top.

NB: The brass is brushed and grain direction of brushed finish will vary. This should not be considered a defect nor a valid reason for claims.

