

Mixu Bar Stool

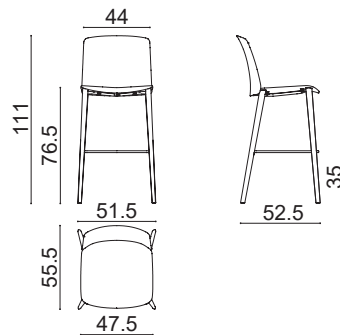
Design in collaboration with Gensler, 2021

Art. 5827

Stool on a four-legged base in solid oak (natural or stained black finish). Seat upholstered in fabric, leather, coated fabric or customer's own material and polypropylene backrest available in five colours. Seat height 76.5 cm.



Dimensions *



* File CAD 2D - 3D available for download at www.arper.com

Frame Base



L0006



L0022

Shell

arper

www.arper.com


info@arper.com


Mixu Bar Stool


Design in collaboration with Gensler, 2021


SHIPMENT DETAILS

Art.5827

1 pz = 1  - kg 10,15/ m³ 0,435

1 pz = 1  - kg 10,8/ m³ 0,29

2 pz = 1  - kg 18,5/ m³ 0,37

4 pz = 1  - kg 32,5/ m³ 0,37

TECHNICAL SPECIFICATIONS

Art.5827

COL requirement m² 1.08

H 140 cm. COM Meterage m 0.616

RESISTANCE TEST

FIRE RETARDANT TEST

arper

www.arper.com
info@arper.com

www.arper.com