

Aava 02 Counter Stool

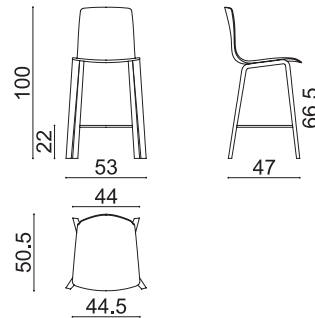
Design by Antti Kotilainen, 2023

Art. 7616

Stool on a 4-leg base in plywood with a reconstituted oak or walnut finish. Shell in polypropylene made with post-consumer recycled materials, mixed with virgin material, available in 5 colours and with front upholstery in fabric, leather, coated fabric or customer's own material. Glides are also available, with felt insert for wood floors. Seat height 66,5 cm.



Dimensions *



* File CAD 2D - 3D available for download at www.arper.com

Frame Base



L0006

L0022

L0028

Shell

Polypropylene



PG00011

PG00012

PG00013

PG00014

PG00015

arper

info@arper.com


www.arper.com

Aava 02 Counter Stool

Design by Antti Kotilainen, 2023

SHIPMENT DETAILS

Art.7616

1 pz = 2  - kg 10,36/ m³ 0,362

4 pz = 5  - kg 33,88/ m³ 1,128

TECHNICAL SPECIFICATIONS

Art.7616

COL requirement m² 1.08

H 140 cm. COM Meterage m 0.66

RESISTANCE TEST

FIRE RETARDANT TEST

arper

www.arper.com

info@arper.com