

Mixu Bar Stool

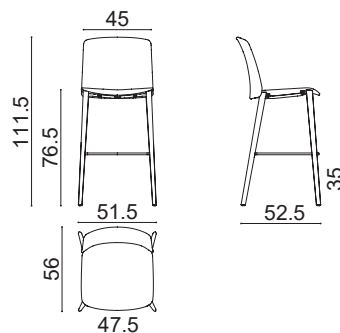
Design in collaboration with Gensler, 2021

Art. 5829

Stool on a four-legged base in solid oak (natural or stained black finish). Seat upholstered with Elimosoft leather or Valencia coated fabric. Backrest upholstered with an alternative material than the one used for the seat, chosen from the Arper portfolio or customer's own material. Seat height 76.5 cm.

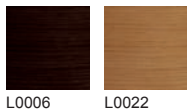


Dimensions *



* File CAD 2D - 3D available for download at www.arper.com

Frame Base



Shell

arper

www.arper.com


info@arper.com


Mixu Bar Stool


Design in collaboration with Gensler, 2021


SHIPMENT DETAILS

Art.5829

1 pz = 1  - kg 10,15/ m³ 0,435

1 pz = 1  - kg 10,8/ m³ 0,29

2 pz = 1  - kg 18,5/ m³ 0,37

4 pz = 1  - kg 32,5/ m³ 0,37

TECHNICAL SPECIFICATIONS

Art.5829

COL requirement m² 2.28

H 140 cm. COM Meterage m 1.18

RESISTANCE TEST

FIRE RETARDANT TEST

arper

www.arper.com
info@arper.com

www.arper.com