

# Aava 02 Counter Stool

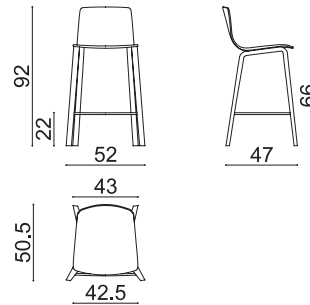
## Design by Antti Kotilainen, 2023

### Art. 7630

Stool on a 4-leg base and shell in plywood with a reconstituted oak or walnut finish. Base and shell can be configured in the same finish, or by combining various wood finishes. Glides are also available, with felt insert for wood floors. Seat height 66 cm.

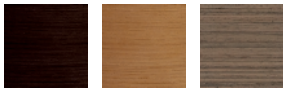


Dimensions \*



\* File CAD 2D - 3D available for download at [www.arper.com](http://www.arper.com)

Frame Base



L0006

L0022

L0028

Shell

Wood



L0006

L0022

L0028

arper

info@arper.com

www.arper.com

# Aava 02 Counter Stool

## Design by Antti Kotilainen, 2023

---

Accessories:


Seat cushion Art. 7642

---

### SHIPMENT DETAILS

**Art.7630**

1 pz = 2  - kg 8,58/ m³ 0,318

4 pz = 5  - kg 30,66/ m³ 1,042

---

### RESISTANCE TEST

---

### TECHNICAL SPECIFICATIONS

---

### FIRE RETARDANT TEST

arper

www.arper.com

info@arper.com