

## Instructions

# Formakami JH18

## Jaime Hayon

### 2018



---

Please read these instructions carefully and retain them for future reference to ensure the product is used correctly. For your own safety, please study each step of this instruction manual first. &Tradition is not responsible for any faults or damage caused by not following these instructions correctly. Do not modify this product in any way. If you have any questions or comments, please do not hesitate to contact us by mail on: [info@andtradition.com](mailto:info@andtradition.com)

&Tradition®

## Safety precautions

- Dispose of plastic bag from packaging immediately and keep out of reach of children.
- The lamp is only intended for interior use.
- Do not place the cable within reach of small children or anywhere there is a risk of it becoming a trip hazard.
- If the external cable or cord of the lamp is damaged, it must be replaced by the manufacturer or a similarly qualified person to avoid any potential hazards.
- Consult a professionally qualified electrician if in any doubt.
- Keep the product well out of reach of children.

## Cleaning instructions

- Wipe surface of the shade with a dry cloth.
- Do not use any abrasive cleaning tools such as steel wool, scouring sponges or stiff brushes.
- Never use strong cleaning agents such as white spirit, turpentine, household glass cleaner or cellulose thinners.

For indoor use only  
E27 Maximum 60W (dimnable)  
Bulb not included



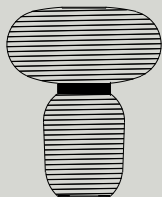
## Contents

**A** Paper shade

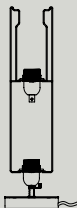
**B** Lamp base

**C** 2 x Screws

A



B



C



## Tools needed

- Bulb type E27 (dimnable)

**For assembly instructions unfold the paper.**

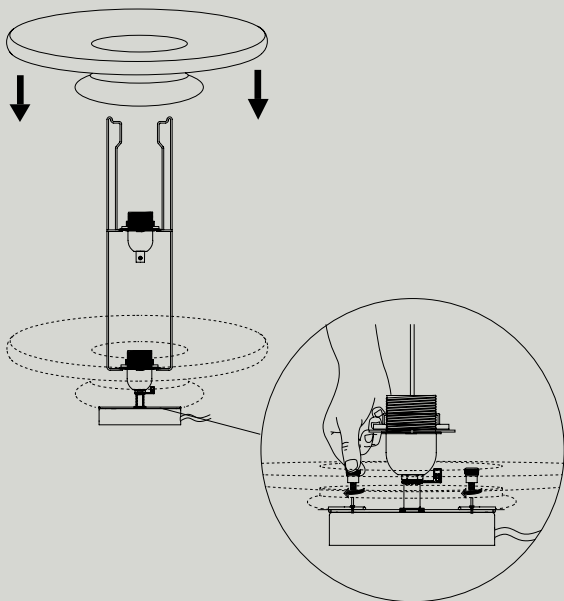
**Please follow steps 1 to 4 to assemble the product.**

### **Step 1 / 4**

---

Carefully lower the lamp shade onto the lamp base.

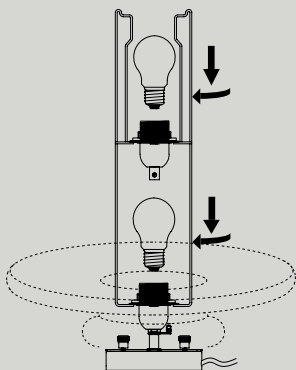
Align the holes from the paper shade's wire frame with the holes in the wooden base. Insert the screws and tighten them by hand.



## Step 2 / 4

---

Install the light bulbs.

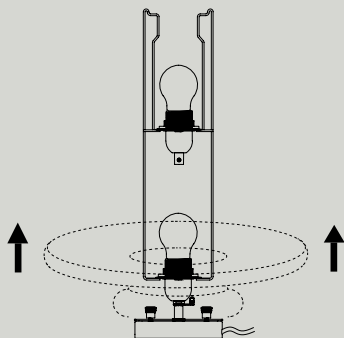


&Tradition®

### Step 3 / 4

---

Carefully pull the paper shade up over the lamp base.



&Tradition®

## Step 4 / 4

---

Connect the top of the paper shade with the wire frame of the lamp base.

The lamp is now ready to use. The light intensity can be adjusted using the dimmer switch on the cable.

