

Kinesit

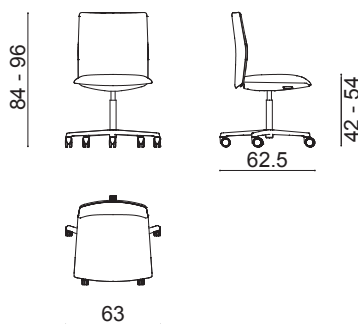
Design by Lievore Altherr Molina, 2014

Art. 4845

Chair with powder coated aluminum 5 way swivel base on castors (available for hard and soft floors, color matching base), fitted with gas-lift mechanism for height adjustment. Seat with built-in self-tensioning weight response mechanism, backrest with 3-position recline, adjustable lumbar support breathing up to 60 mm. Low backrest with visible backshell (available in black or white), front in polyester mesh in matching color. Seat upholstered in leather, customer's leather, coated fabric, fabric or customer's fabric. Fixed or adjustable armrests in nylon fiber, color matching backshell, are available upon request and with a surcharge.



Dimensions *



* File CAD 2D - 3D available for download at www.arper.com

Frame Base



arper

info@arper.com

www.arper.com

Kinesit

Design by Lievore Altherr Molina, 2014



Armrest 2D



Armrest

SHIPMENT DETAILS

Art.4845

1 pz = 1  - kg 21/ m³ 0,4

TECHNICAL SPECIFICATIONS

Art.4845

COL requirement m² 0.85

H 140 cm. COM Meterage m 0.72

RESISTANCE TEST

FIRE RETARDANT TEST

ENVIRONMENTAL CERTIFICATIONS



arper

www.arper.com

info@arper.com