

# Mixu Bar Stool

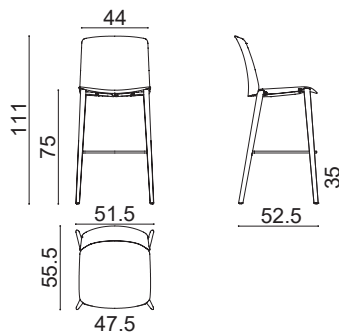
Design in collaboration with Gensler, 2021

## Art. 5825

Stool on a four-legged base in solid oak (natural or stained black finish). Polypropylene seat made with 80% recycled materials and polypropylene backrest, both available in five colours. The finishes of the base, seat and backrest can be freely combined. Seat height 75 cm.



## Dimensions \*



\* File CAD 2D - 3D available for download at [www.arper.com](http://www.arper.com)

## Frame Base



## Shell

arper

www.arper.com

info@arper.com

# Mixu Bar Stool


Design in collaboration with Gensler, 2021


---


---


## SHIPMENT DETAILS

### Art.5825

1 pz = 1  - kg 10,15/ m³ 0,435

1 pz = 1  - kg 10,8/ m³ 0,29

2 pz = 1  - kg 18,5/ m³ 0,37

4 pz = 1  - kg 32,5/ m³ 0,37

---

## TECHNICAL SPECIFICATIONS

---

## RESISTANCE TEST

---

## FIRE RETARDANT TEST

arper

www.arper.com  
info@arper.com

www.arper.com