

Arcos

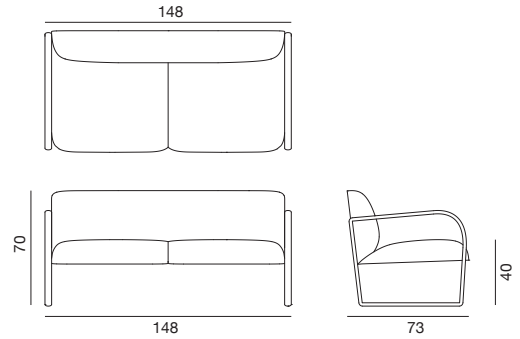
Design by Lievore Altherr, 2017

Art. 6102

Two seater sofa with sled base and integrated armrests made of powder-coated aluminum. Shell in metal and plywood is upholstered in fabric, leather, coated fabric or customer's material. The upholstery can be separated and replaced by technical personnel, since it has been applied without the use of glue. Arper Grade: SOFA.



Dimensions *



* File CAD 2D - 3D available for download at www.arper.com

Frame Base



V39
matt



V59
matt



V60
matt



V61
matt



V62
matt

arper

www.arper.com

info@arper.com

Arcos

Design by Lievore Altherr, 2017

Accessories:

USB Art. 6001


Replacement cover set Art.
6105



Armrests CI - only pad

SHIPMENT DETAILS

Art.6102

1 pz = 1  - kg 27 / m³ 1,063

1 pz = 1  - kg 38,185 / m³

TECHNICAL SPECIFICATIONS

Art.6102

COL requirement m² 9,1

H 140 cm, COM Meterage m 4,08

*Classe 1, 2, 1IM: fire retardant version available with
surcharge and eventual minimum batch

FIRE RETARDANT TEST

Thickness

GLIDES

Standard

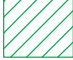
Optional


arper


www.arper.com


info@arper.com

 Upholstery

 Mono density polyurethan 1

 Mono density polyurethan 2

 Ovatet and velveteen

 Wooden structure

