

Instructions

Inland AV41 Anderssen & Voll 2024



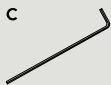
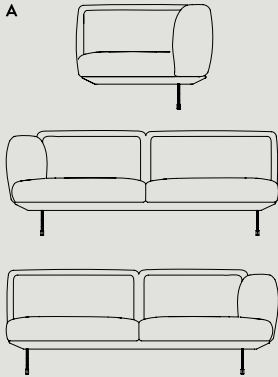
Please read these instructions carefully and retain them for future reference to ensure the product is used correctly. For your own safety, please study each step of this instruction manual first. &Tradition is not responsible for any faults or damage caused by not following these instructions correctly. Do not modify this product in any way. If you have any questions or comments, please do not hesitate to contact us by mail on: info@andtradition.com

&Tradition[®]

Inland AV41

Anderssen & Voll

2024



Safety precautions

- Dispose of plastic bag from packaging and keep out of reach of children.
- The modules are intended for interior use only.
- Do not assemble without assistance.
- To avoid damage to the legs, please do not lift assembled modules consisting of more than two seats.
- Bolts may have an oily residue so take care not to stain the upholstery.

Contents

- A Modules
- B Bolt x 8
- C Allen Key

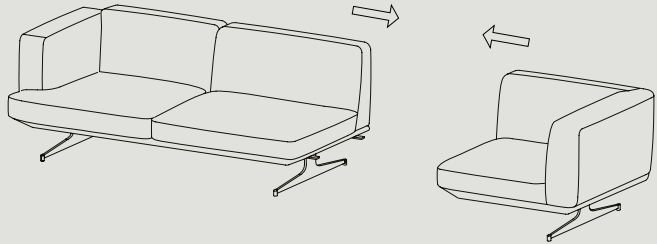
Cleaning instructions

- Vacuum the furniture regularly using the upholstery nozzle to remove dust and avoid pilling.
- Straighten the fabric with your hands from time to time. Wrinkles in the fabric can be straightened using a steamer.
- Soak up spilt liquids immediately with an absorbent cloth by dabbing gently towards the centre of the stain.
- Most stains can be removed with lukewarm water on a clean lint-free cloth. If necessary, add a little neutral detergent. Avoid rubbing the material harshly as this could result in loss of colour and damage to the fabric. It may also be necessary to use a hairdryer to avoid leaving a residual outline.
- Never use concentrated detergents, bleach ammonia or soap intended for hard surfaces on upholstery.

**Please follow steps 1 to 3
to assemble the product.**

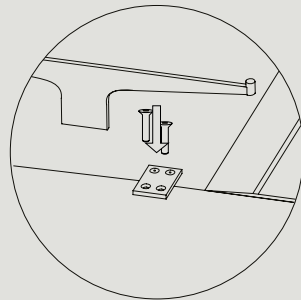
Step 1 / 3

Carefully slide the two modules together so that the brackets on one module are aligned with the pre-drilled holes on the other.



Step 2 / 3

Fasten the brackets with the supplied bolts using the allen key.



Step 3 / 3

Repeat step one and two to attach the third module.

Finally, ensure all bolts are fastened and enjoy your product.

