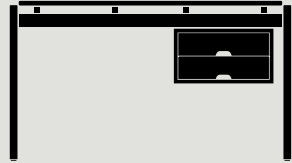


Instructions

Daystak Desk RD3

Robin Day

1951



Please read these instructions carefully and retain them for future reference to ensure the product is used correctly. For your own safety, please study each step of this instruction manual before attempting installation. &Tradition is not responsible for any faults or damage caused by not following these instructions correctly. Do not modify this product in any way.

If you have any questions or comments, please do not hesitate to contact us by mail on: info@andtradition.com

&Tradition®

Daystak Desk RD3

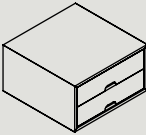
Robin Day

1951

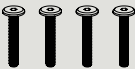
A



B



C



D



Safety precautions

- Dispose of all rubbish from packaging responsibly and keep out of reach of children.
- The desk is only intended for indoor use.
- Handle tabletop with care to avoid scratching any surfaces.
- Two or more adults are required when lifting the desk.

Contents

- A** Table
- B** Drawer Carcass / Drawers
- C** Hex Bolts
- D** Allen Key

Tools needed

- Allen Key

Cleaning instructions

Lacquered Wood

Lacquered wood offers a strong surface and is very easy to maintain and clean. For daily care it is recommended to dust the product with a soft cloth. Lacquered wood can be cleaned with a soft cloth wrung in a mild solution of lukewarm water and a universal cleaning detergent. Always follow the wood grain and dry with a soft dry cloth immediately after cleaning. Avoid the use of abrasive cleaning agents and aggressive cleaning detergents as this will damage the surface of the lacquered wood. Avoid placing wooden furniture in direct sunlight, excessive heat or humidity.

Fenix

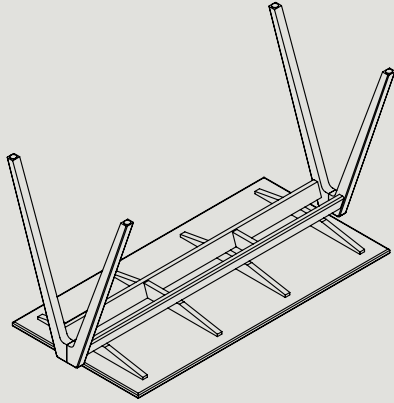
Fenix NTM Nano is a soft touch laminate based on nano technology and is used for tabletops as an alternative to linoleum and standard laminate. The nano laminate offers unique features such as scratch resistance, low light reflectivity, anti-fingerprint and much more.

For more details about the unique properties of nano laminate, as well as cleaning and maintenance refer to: www.fenixntm.com/en

Please follow steps 1 to 3 to assemble the product.

Step 1 / 3

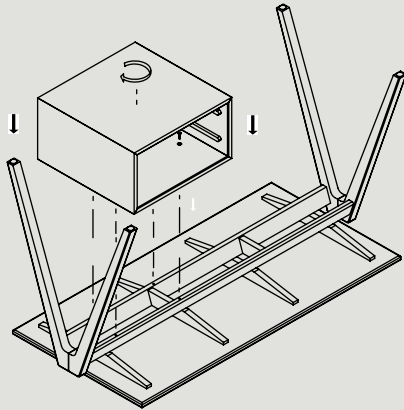
Turn the table over onto its top. Make sure to place a blanket or something similar underneath to avoid scratching and damaging the top surface.



Step 2 / 3

Remove the drawers and place the drawer carcass on the rails, lining up the screw holes. As the table is symmetrical, you may choose which side the drawers are fitted by turning the carcass 180 degrees in either direction.

Screw in and tighten the four bolts with the Allen key provided.



Step 3 / 3

Turn the table over and place the drawers back inside.



