

# Aava 02 Bar Stool

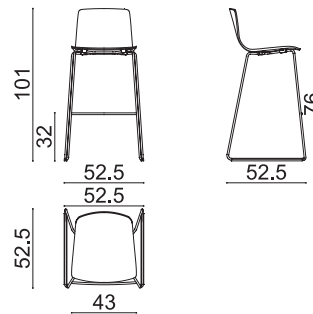
## Design by Antti Kotilainen, 2023

### Art. 7638

Stool on a sled base in chromed or powder-coated steel. Shell in wood upholstered with fabric, leather, coated fabric or customer's own material. The upholstery can be separated and replaced by technical personnel, since it has been applied without the use of glue. Glides are also available, with felt insert for wood floors. Seat height 76 cm.



#### Dimensions \*



\* File CAD 2D - 3D available for download at [www.arper.com](http://www.arper.com)

#### Frame Base



#### Shell

- with stacking pad, without tools up to 6 units
- with stacking pad, with trolley up to 6 units

arper

www.arper.com

info@arper.com

# Aava 02 Bar Stool

## Design by Antti Kotilainen, 2023

---

Accessories:



Single trolley Art. 0500





Stacking protection pad Art. 3942

---

### SHIPMENT DETAILS

#### Art.7638

1 pz = 2  - kg 11,8/ m³ 0,381

4 pz = 2  - kg 34/ m³ 0,408

---

### RESISTANCE TEST

---

### ENVIRONMENTAL CERTIFICATIONS



---

### TECHNICAL SPECIFICATIONS

Art.7638

COL requirement m² 1.86

H 140 cm. COM Meterage m 0.814

---

### FIRE RETARDANT TEST

arper

www.arper.com

info@arper.com