

User instructions



Capture SC77

Space Copenhagen

2022

Congratulations with you new Capture coat stand, designed in 2022 by Space Copenhagen. We hope you will enjoy using this product and follow these instructions to ensure correct assembly. If you have any questions or comments, please do not hesitate to contact us by mail on:

info@andtradition.com

Capture SC77

Space Copenhagen

2022

Please read these instructions carefully and retain them for future reference to ensure that the product is used correctly. For your own safety, please study each step of this instruction manual first. Tradition is not responsible for any faults or damages caused by not following these instructions correctly. Do not modify this product in any way.

Contents

- A - Legs x 4
- B - Hooks x 4
- C - Spacer with four holes x 3
- D - Spacer with eight holes x 2
- E - Screws x 28
- F - Allen key

Safety precautions

- Dispose of plastic bag from packaging and do not allow children to play with it.
- The coat stand is only intended for indoor use.

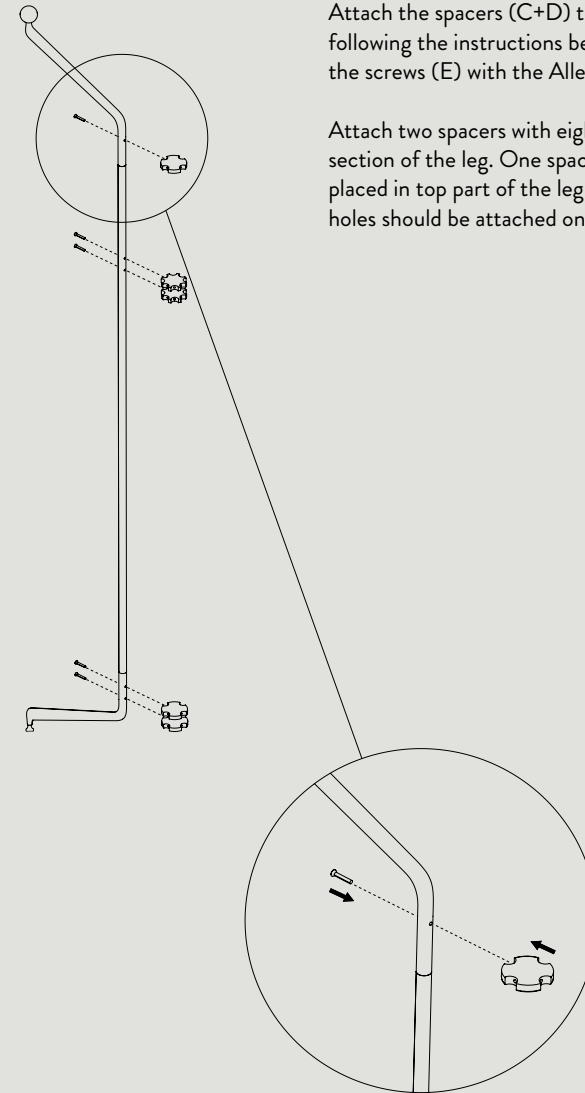
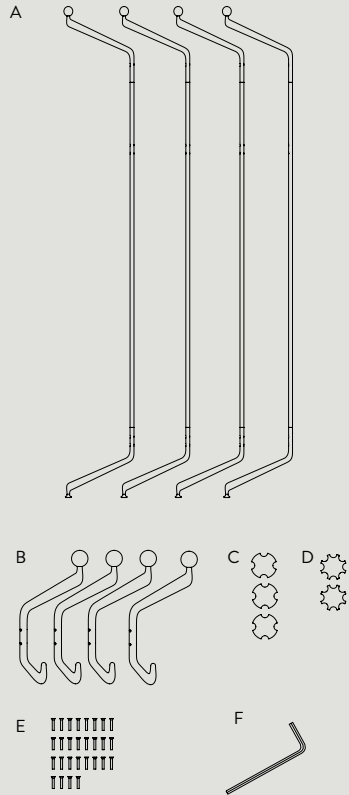
Cleaning instructions

Powder coated metal

It is recommended only to use a soft dry cloth to clean powder coated surfaces but in case more severe cleaning is necessary, a soft cloth wrung in lukewarm water can be carefully applied. Always dry immediately after cleaning with a soft dry cloth. Avoid using abrasive cleaning agents or aggressive cleaning detergents on powder coated surfaces as this may permanently damage the surface.

Lacquered wood

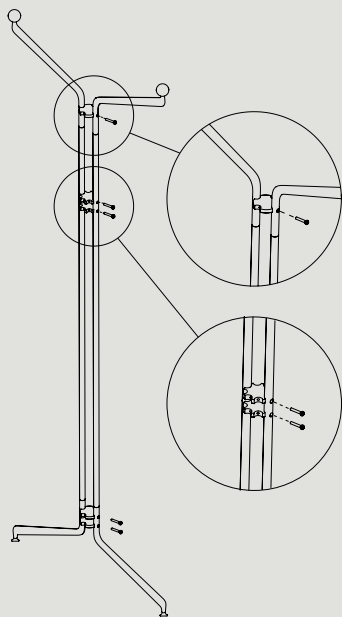
For daily care it is recommended to dust the furniture with a soft cloth. Lacquered wood can be cleaned with a soft cloth wrung in a mild solution of lukewarm water and a universal cleaning detergent. Always follow the wood grains and always dry with a soft dry cloth immediately after cleaning. Avoid use of abrasive cleaning agents and aggressive cleaning detergents as this will damage the surface of the lacquered wood. Avoid placing wooden furniture in direct sunlight, excessive heat or humidity.



Step 1

Attach the spacers (C+D) to one of the legs (A) by following the instructions below. This is done by fastening the screws (E) with the Allen key (F).

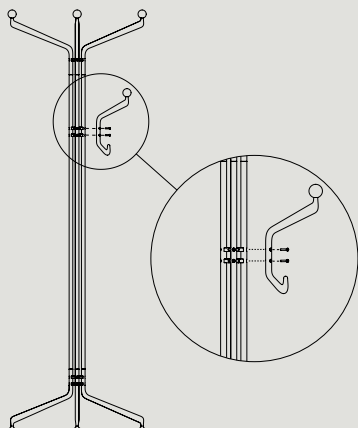
Attach two spacers with eight holes (D) in the middle section of the leg. One spacer with four holes (C) is placed in top part of the leg and two spacers with four holes should be attached on the bottom part as shown.



Step 2

Place another leg (A) and fasten the screws (E) with the Allen key (F).

Repeat for the remaining legs.

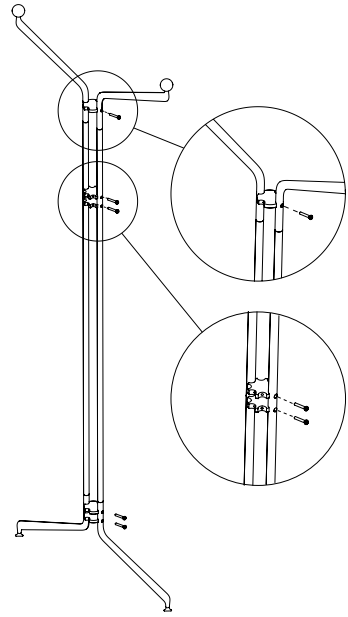


Step 3

Attach the hooks (B) on the spacers in the middle by fastening the screws (E) with the Allen key (F).

NB: If the coat stand is unstable due to uneven floor, please adjust it using the adjustable gliders.

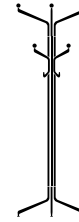
&Tradition®



Step 2

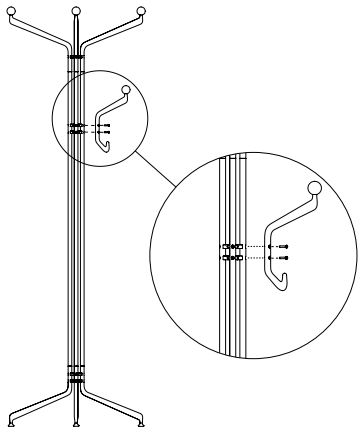
Place another leg (A) and fasten the screws (E) with the Allen key (F).
Repeat for the remaining legs.

andtradition.com



User instructions

Capture SC77 Space Copenhagen 2022



Step 3

Attach the hooks (B) on the spacers in the middle by fastening the screws (E) with the Allen key (F).

NB: If the coat stand is unstable due to uneven floor, please adjust it using the adjustable gliders.

&Tradition®

Congratulations with you new Capture coat stand, designed in 2022 by Space Copenhagen. We hope you will enjoy using this product and follow these instructions to ensure correct assembly. If you have any questions or comments, please do not hesitate to contact us by mail on:

info@andtradition.com

Capture SC77

Space Copenhagen

2022

Please read these instructions carefully and retain them for future reference to ensure that the product is used correctly. For your own safety, please study each step of this instruction manual first. &Tradition is not responsible for any faults or damages caused by not following these instructions correctly. Do not modify this product in any way.

Contents

- A - Legs x 4
- B - Hooks x 4
- C - Spacer with four holes x 3
- D - Spacer with eight holes x 2
- E - Screws x 28
- F - Allen key

Safety precautions

- Dispose of plastic bag from packaging and do not allow children to play with it.
- The coat stand is only intended for indoor use.

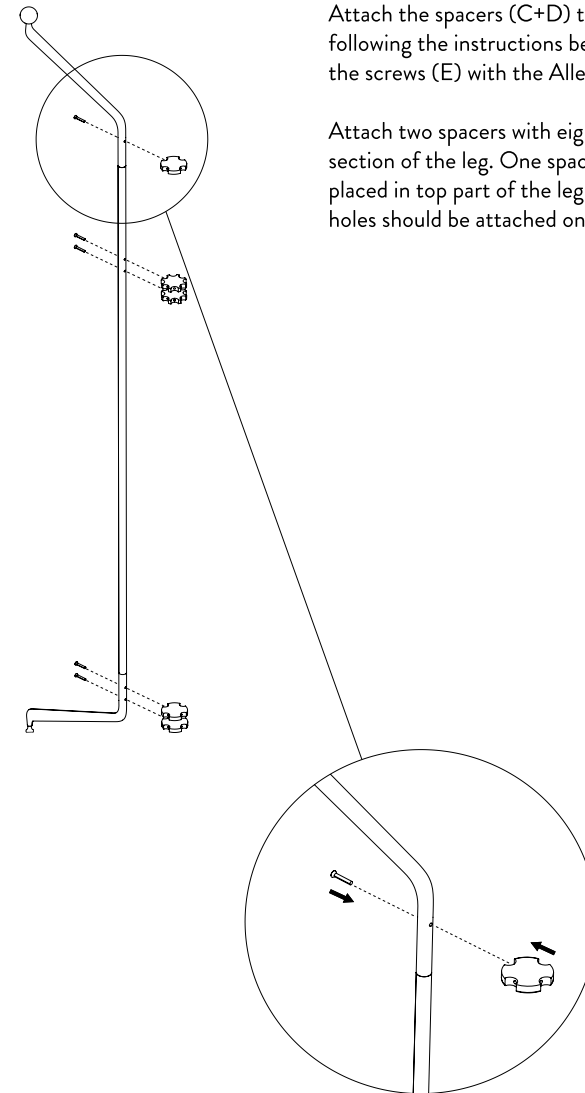
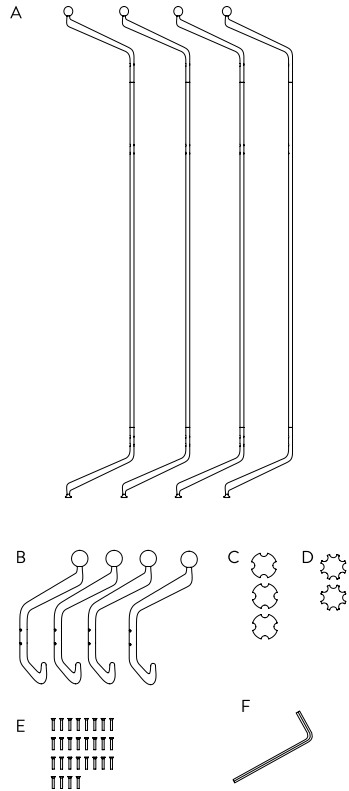
Cleaning instructions

Powder coated metal

It is recommended only to use a soft dry cloth to clean powder coated surfaces but in case more severe cleaning is necessary, a soft cloth wrung in lukewarm water can be carefully applied. Always dry immediately after cleaning with a soft dry cloth. Avoid using abrasive cleaning agents or aggressive cleaning detergents on powder coated surfaces as this may permanently damage the surface.

Lacquered wood

For daily care it is recommended to dust the furniture with a soft cloth. Lacquered wood can be cleaned with a soft cloth wrung in a mild solution of lukewarm water and a universal cleaning detergent. Always follow the wood grains and always dry with a soft dry cloth immediately after cleaning. Avoid use of abrasive cleaning agents and aggressive cleaning detergents as this will damage the surface of the lacquered wood. Avoid placing wooden furniture in direct sunlight, excessive heat or humidity.



Step 1

Attach the spacers (C+D) to one of the legs (A) by following the instructions below. This is done by fastening the screws (E) with the Allen key (F).

Attach two spacers with eight holes (D) in the middle section of the leg. One spacer with four holes (C) is placed in top part of the leg and two spacers with four holes should be attached on the bottom part as shown.