

Aava 02 Counter Stool

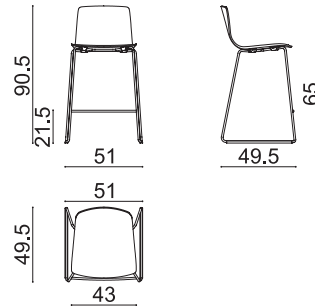
Design by Antti Kotilainen, 2023

Art. 7628

Stool on a sled base in chromed or powder-coated steel. Shell in plywood with a reconstituted oak or walnut finish. Glides are also available, with felt insert for wood floors. Seat height 65 cm.



Dimensions *



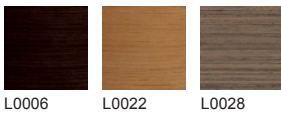
* File CAD 2D - 3D available for download at www.arper.com

Frame Base



Shell

Wood



- without tools up to 10 units
- with trolley up to 20 units

arper

info@arper.com

www.arper.com

Aava 02 Counter Stool

Design by Antti Kotilainen, 2023

Accessories:



Single trolley Art. 0500

Seat cushion Art. 7642

SHIPMENT DETAILS

Art.7628

1 pz = 2  - kg 13,14/ m³ 0,326

4 pz = 2  - kg 35,46/ m³ 0,351

TECHNICAL SPECIFICATIONS

RESISTANCE TEST

FIRE RETARDANT TEST

arper

www.arper.com

info@arper.com