

Mixu Bar Stool

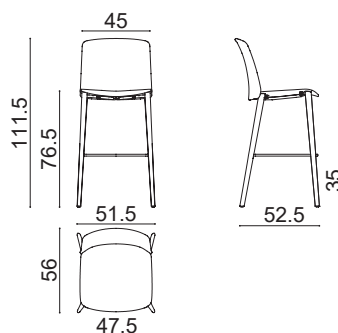
Design in collaboration with Gensler, 2021

Art. 5828

Stool on a four-legged base in solid oak (natural or stained black finish). Seat and backrest upholstered with fabric, leather, coated fabric or customer's own material. On request and with an additional charge, the seat and backrest can be made using different shades of the same cover. Seat height 76.5 cm.

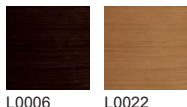


Dimensions *



* File CAD 2D - 3D available for download at www.arper.com

Frame Base



Shell

arper

www.arper.com


info@arper.com


Mixu Bar Stool


Design in collaboration with Gensler, 2021


SHIPMENT DETAILS

Art.5828

1 pz = 1  - kg 10,15/ m³ 0,435

1 pz = 1  - kg 10,8/ m³ 0,29

2 pz = 1  - kg 18,5/ m³ 0,37

4 pz = 1  - kg 32,5/ m³ 0,37

TECHNICAL SPECIFICATIONS

Art.5828

COL requirement m² 2.22

H 140 cm. COM Meterage m 1.1

RESISTANCE TEST

FIRE RETARDANT TEST

arper

www.arper.com

info@arper.com