

Aava 02 Counter Stool

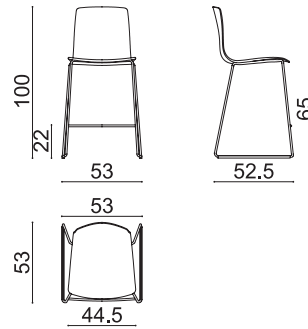
Design by Antti Kotilainen, 2023

Art. 7605

Stool on a sled base in chromed or powder-coated steel. Shell in polypropylene made with post-consumer recycled materials, mixed with virgin material, available in 5 colours. Glides are also available, with felt insert for wood floors. Seat height 65 cm.



Dimensions *



* File CAD 2D - 3D available for download at www.arper.com

Frame Base



Shell

Polypropylene



– without tools up to 10 units

arper

info@arper.com

www.arper.com

Aava 02 Counter Stool

Design by Antti Kotilainen, 2023

Accessories:



Single trolley Art. 0500



Seat cushion Art. 7641




Removable cover Art. 7643

SHIPMENT DETAILS

Art.7605

1 pz = 2  - kg 11,03/ m³ 0,308

4 pz = 2  - kg 31,58/ m³ 0,396

TECHNICAL SPECIFICATIONS

RESISTANCE TEST

FIRE RETARDANT TEST

ENVIRONMENTAL CERTIFICATIONS



arper

www.arper.com

info@arper.com