

# Saari

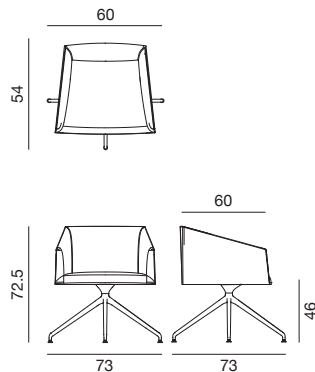
Design by Lievore Altherr Molina, 2009

## Art. 2706

Tub armchair with polished or powder-coated aluminium swivel trestle base. Plywood shell upholstered in leather, coated fabric, fabric or customer's own fabric.

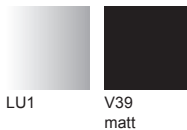


### Dimensions \*



\* File CAD 2D - 3D available for download at [www.arper.com](http://www.arper.com)

### Frame Base



### Shell

### Carded In

### Graded In

arper

info@arper.com

www.arper.com

# Saari

## Design by Lievore Altherr Molina, 2009

---

### Accessories:

Set of glides Art. 2015

---

### SHIPMENT DETAILS

#### Art.2706

1 pz = 1  - kg 18/ m³ 0,365

---

### RESISTANCE TEST

- EN 1728:2000 - EN 15373:2007 6.15
- EN 1728:2000 - EN 15373:2007 6.2.1
- EN 1728:2000 - EN 15373:2007 6.5
- EN 1728:2000 - EN 15373:2007 6.7
- EN 1728:2000 - EN 15373:2007 6.16
- EN 1728:2000 - EN 15373:2007 6.2.2
- EN 1728:2000 - EN 15373:2007 6.6
- EN 1728:2000 - EN 15373:2007 6.8

---

### ENVIRONMENTAL CERTIFICATIONS



---

### TECHNICAL SPECIFICATIONS

#### Art.2706

COL requirement m² 3.25  
H 140 cm. COM Meterage m 1.82

---

### FIRE RETARDANT TEST

arper

www.arper.com  
info@arper.com