

# Aava 02 Counter Stool

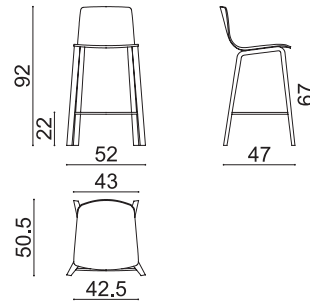
## Design by Antti Kotilainen, 2023

### Art. 7639

Stool on a 4-leg base in plywood with a reconstituted oak or walnut finish. Shell in wood upholstered with fabric, leather, coated fabric or customer's own material. The upholstery can be separated and replaced by technical personnel, since it has been applied without the use of glue. Glides are also available, with felt insert for wood floors. Seat height 67 cm.

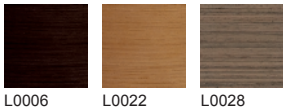


Dimensions \*



\* File CAD 2D - 3D available for download at [www.arper.com](http://www.arper.com)

Frame Base



Shell

arper

www.arper.com

info@arper.com

# Aava 02 Counter Stool


## Design by Antti Kotilainen, 2023

---

---

### SHIPMENT DETAILS

**Art.7639**

1 pz = 2  - kg 8,58/ m³ 0,362

4 pz = 5  - kg 30,66/ m³ 1,086

---

### TECHNICAL SPECIFICATIONS

Art.7639

COL requirement m² 1.86

H 140 cm. COM Meterage m 0.814

---

### RESISTANCE TEST

---

### FIRE RETARDANT TEST

arper

www.arper.com

info@arper.com