

Aava 02 Bar Stool

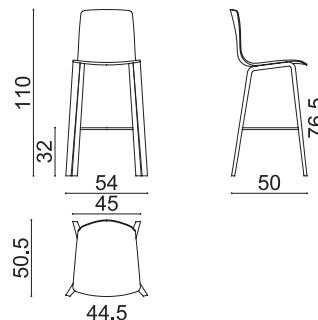
Design by Antti Kotilainen, 2023

Art. 7617

Stool on a 4-leg base in plywood with a reconstituted oak or walnut finish. Shell in polypropylene made with post-consumer recycled materials, mixed with virgin material, available in 5 colours and with front upholstery in fabric, leather, coated fabric or customer's own material. Glides are also available, with felt insert for wood floors. Seat height 76,5 cm.

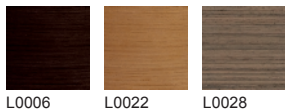


Dimensions *



* File CAD 2D - 3D available for download at www.arper.com

Frame Base



Shell

Polypropylene



arper

info@arper.com

www.arper.com

Aava 02 Bar Stool

Design by Antti Kotilainen, 2023

SHIPMENT DETAILS

Art.7617

1 pz = 2  - kg 10,36/ m³ 0,362

4 pz = 5  - kg 33,88/ m³ 1,128

TECHNICAL SPECIFICATIONS

Art.7617

COL requirement m² 1.08

H 140 cm. COM Meterage m 0.66

RESISTANCE TEST

FIRE RETARDANT TEST

arper

www.arper.com

info@arper.com