

# Aava 02 Bar Stool

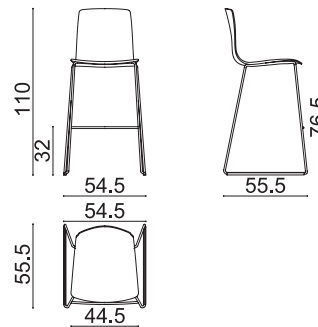
## Design by Antti Kotilainen, 2023

### Art. 7615

Stool on a sled base in chromed or powder-coated steel. Shell in polypropylene made with post-consumer recycled materials, mixed with virgin material, available in 5 colours and with front upholstery in fabric, leather, coated fabric or customer's own material. Glides are also available, with felt insert for wood floors. Seat height 76,5 cm.



#### Dimensions \*



\* File CAD 2D - 3D available for download at [www.arper.com](http://www.arper.com)

#### Frame Base



#### Shell

##### Polypropylene



- with stacking pad, without tools up to 6 units
- with stacking pad, with trolley up to 6 units

arper

info@arper.com

www.arper.com

# Aava 02 Bar Stool

## Design by Antti Kotilainen, 2023

---

Accessories:



Single trolley Art. 0500





Stacking protection pad Art. 3950

---

### SHIPMENT DETAILS

#### Art.7615

1 pz = 2  - kg 13,58/ m³ 0,381

4 pz = 2  - kg 37,22/ m³ 0,507

---

### RESISTANCE TEST

---

### ENVIRONMENTAL CERTIFICATIONS



---

### TECHNICAL SPECIFICATIONS

Art.7615

COL requirement m² 1.08

H 140 cm. COM Meterage m 0.66

---

### FIRE RETARDANT TEST

arper

www.arper.com  
info@arper.com