

# Colina L

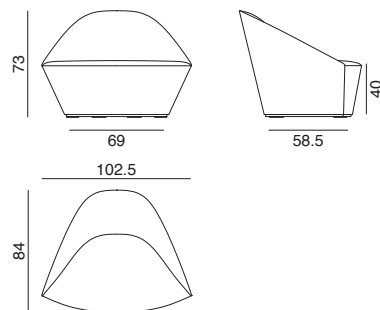
Design by Lievore Altherr Molina, 2014

## Art. 4201 4302

Armchair with plywood frame fully upholstered in fabric, leather, coated fabric or customer's own material. The version with removable cover is available upon request. Optional glides with felt for wooden floors are available upon request.



### Dimensions \*



\* File CAD 2D - 3D available for download at [www.arper.com](http://www.arper.com)

### Frame Base



### Shell

#### Polypropylene



arper

info@arper.com

www.arper.com

# Colina L

Design by Lievore Altherr Molina, 2014


---


Set of glides Art. 2015


---

## SHIPMENT DETAILS

### Art.4201

1 pz = 2  - kg 12,88/ m<sup>3</sup> 0,355

4 pz = 2  - kg 37,7/ m<sup>3</sup> 0,484

1 pz = 1  - kg 43,96/ m<sup>3</sup> 0,901

---

## TECHNICAL SPECIFICATIONS

### Art.4201

\*Classe 1, 2, 1IM: fire retardant version available with surcharge and eventual minimum batch

### Art.4302

COL requirement m<sup>2</sup> 6.12

H 140 cm. COM Meterage m 3.91

\*Classe 1, 2, 1IM: fire retardant version available with surcharge and eventual minimum batch

---

## RESISTANCE TEST

- EN 1728:2012 - EN 16139:2013 6.10
- EN 1728:2012 - EN 16139:2013 6.15
- EN 1728:2012 - EN 16139:2013 6.17
- EN 1728:2012 - EN 16139:2013 6.20
- EN 1728:2012 - EN 16139:2013 6.25
- EN 1728:2012 - EN 16139:2013 6.4
- EN 1022:05

- EN 1728:2012 - EN 16139:2013 6.11
- EN 1728:2012 - EN 16139:2013 6.16
- EN 1728:2012 - EN 16139:2013 6.18
- EN 1728:2012 - EN 16139:2013 6.24
- EN 1728:2012 - EN 16139:2013 6.26
- EN 1728:2012 - EN 16139:2013 6.5

---

## FIRE RETARDANT TEST

arper

www.arper.com  
info@arper.com