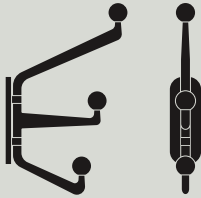


User instructions



Capture SC74 & SC75

Space Copenhagen

2022

Congratulations with you new Capture hook, designed in 2022 by Space Copenhagen. We hope you will enjoy using this product and follow these instructions to ensure correct assembly. If you have any questions or comments, please do not hesitate to contact us by mail on:

info@andtradition.com

Capture SC74 & SC75 Space Copenhagen 2022

Please read these instructions carefully and retain them for future reference to ensure that the product is used correctly. For your own safety, please study each step of this instruction manual first. &Tradition is not responsible for any faults or damages caused by not following these instructions correctly. Do not modify this product in any way.

Contents

- A - Hook
- B - Mounting plate (pre-mounted on the hook)
- C - Screws x 2
- D - Wallplug x 2
- E - Set screw x 1 (pre-mounted on the hook)
- F - Allen key

Safety precautions

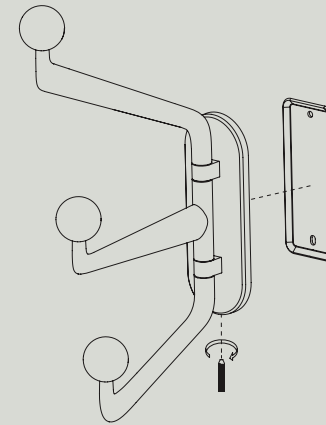
- Dispose of plastic bag from packaging and do not allow children to play with it.
- The coat hook is only intended for indoor use.

***Please note that the wall plugs (D) are only intended for stone walls, if the product is going to be hung on a different type of wall, please use plugs that are specialized for this.**

Cleaning instructions

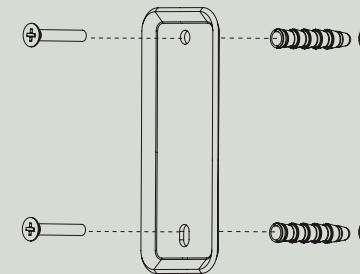
Powder coated metal: It is recommended only to use a soft dry cloth to clean powder coated surfaces but in case more severe cleaning is necessary, a soft cloth wrung in lukewarm water can be carefully applied. Always dry immediately after cleaning with a soft dry cloth. Avoid using abrasive cleaning agents or aggressive cleaning detergents on powder coated surfaces as this may permanently damage the surface.

Lacquered wood: For daily care it is recommended to dust the furniture with a soft cloth. Lacquered wood can be cleaned with a soft cloth wrung in a mild solution of lukewarm water and a universal cleaning detergent. Avoid use of abrasive cleaning agents and aggressive cleaning detergents as this will damage the surface of the lacquered wood. Avoid placing wooden furniture in direct sunlight, excessive heat or humidity.



Step 1

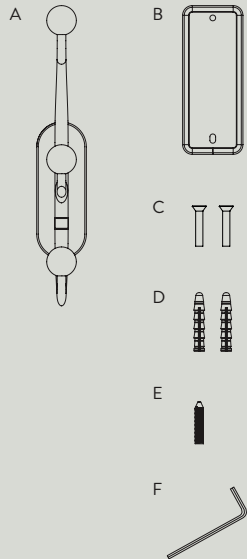
Remove the mounting plate (B) from the hook (A) by loosening the set screw (E) clockwise with the Allen key (F)

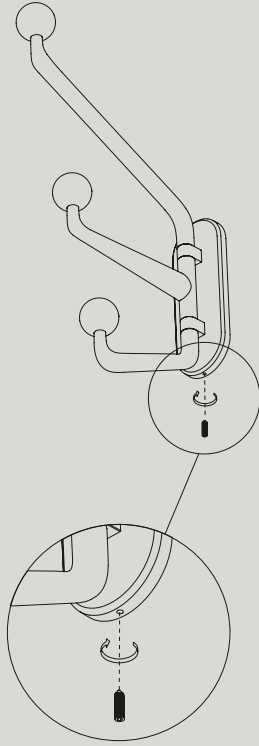


Step 2

Place the mounting plate (B) in the desired space on the wall. Make sure it is leveled by using a spirit level.

Mark hole placement, remove the mounting plate and drill holes on the marked spots. Insert the wall plugs (D) and fasten the mounting plate with the screws (C).





Step 3

Attach the hook (A) on the mounting plate (B) and fasten the set screw (E) counterclockwise with the Allen key (F).