

Aava 02 Counter Stool

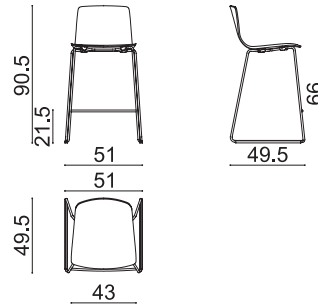
Design by Antti Kotilainen, 2023

Art. 7637

Stool on a sled base in chromed or powder-coated steel. Shell in wood upholstered with fabric, leather, coated fabric or customer's own material. The upholstery can be separated and replaced by technical personnel, since it has been applied without the use of glue. Glides are also available, with felt insert for wood floors. Seat height 66 cm.



Dimensions *



* File CAD 2D - 3D available for download at www.arper.com

Frame Base



Shell

- with stacking pad, without tools up to 6 units
- with stacking pad, with trolley up to 6 units

arper

info@arper.com

www.arper.com

Aava 02 Counter Stool

Design by Antti Kotilainen, 2023

Accessories:




Single trolley Art. 0500




Stacking protection pad Art. 3942

SHIPMENT DETAILS

Art.7637

1 pz = 2  - kg 11,36/ m³ 0,345

4 pz = 2  - kg 32,24/ m³ 0,371

RESISTANCE TEST

ENVIRONMENTAL CERTIFICATIONS



TECHNICAL SPECIFICATIONS

Art.7637

COL requirement m² 1.86

H 140 cm. COM Meterage m 0.814

FIRE RETARDANT TEST

arper

www.arper.com

info@arper.com