

Cila Go

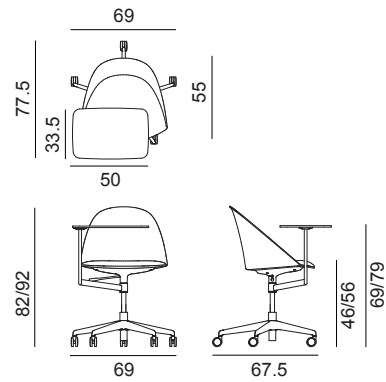
Design by Lievore Altherr, 2019

Art. 2317

Chair on a 5 way reinforced nylon fibre swivel base (black or white) mounted on self-braking castors (in the same colour as the base) and complete with writing tablet 50x33.5 cm in HPL with top and rotating arm in the same colour as the base. Shell fully upholstered in leather, coated fabric, fabric or customer's own material.



Dimensions *



* File CAD 2D - 3D available for download at www.arper.com

Frame Base



arper

www.arper.com


info@arper.com

Cila Go

Design by Lievore Altherr, 2019

SHIPMENT DETAILS

Art.2317

1 pz = 3  - kg 19,11/ m³ 0,27

4 pz = 9  - kg 69,61/ m³ 0,688

RESISTANCE TEST

- TUV GS (EN16139)

ENVIRONMENTAL CERTIFICATIONS



TECHNICAL SPECIFICATIONS

Art.2317

COL requirement m² 3

H 140 cm. COM Meterage m 1.31

*Classe 1, 2, 1IM: fire retardant version available with surcharge and eventual minimum batch

FIRE RETARDANT TEST

arper

www.arper.com
info@arper.com

www.arper.com