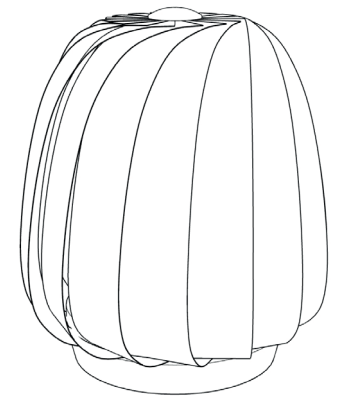


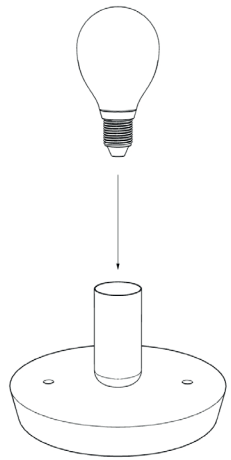
T O M
R O S S A U

MANUAL

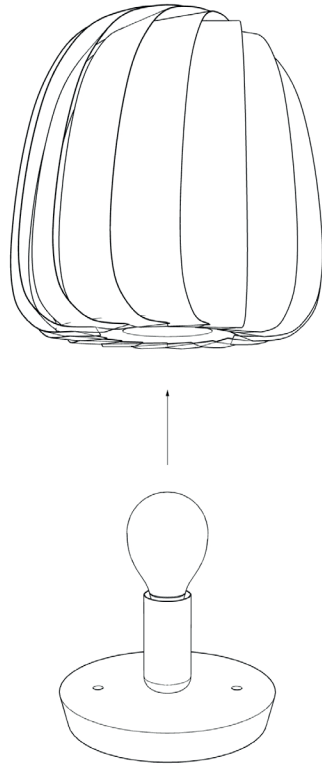


Tom Rossau A/S Frederiksberg Alle 5
1621 Copenhagen V Denmark

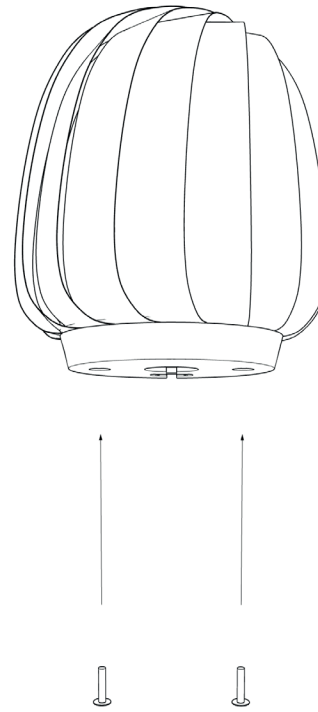
ST906 Mini



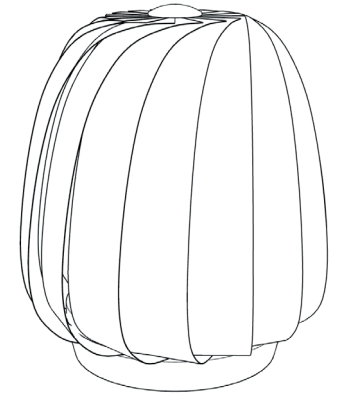
1) Insert a lightbulb in the E14 socket on the base



2) Slide the lampshade over the lightbulb onto the base



3) Insert the screws into the base to secure the lampshade



4) For removal of the light bulb follow these steps in reverse.