

## Instructions

# Drip HW58-HW60 Hee Welling 2021



---

Please read these instructions carefully and retain them for future reference to ensure the product is used correctly. For your own safety, please study each step of this instruction manual first. &Tradition is not responsible for any faults or damage caused by not following these instructions correctly. Do not modify this product in any way. If you have any questions or comments, please do not hesitate to contact us by mail on: [info@andtradition.com](mailto:info@andtradition.com)

**&Tradition<sup>®</sup>**

# Drip HW58-HW60

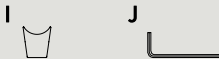
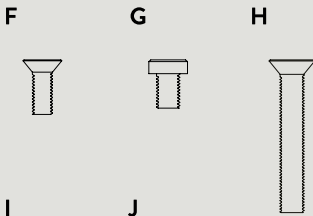
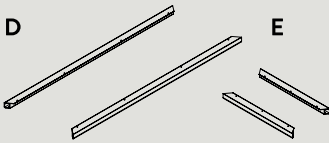
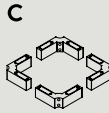
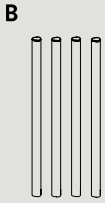
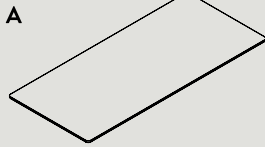
## Hee Welling

### 2021

---

#### Safety precautions

- Dispose of plastic bag from packaging and do not allow children to play with it.
- The table is only intended for indoor use.
- Handle table top with care in order not to scratch surfaces.
- Two or more adults are required when lifting the table.



#### Contents

- A** Table top
- B** Leg x 4
- C** Corner bracket x 4
- D** Long frame x 2
- E** Short frame x 2
- F** Short flat head screw x 16
- G** Short button screw x 12
- H** Long flat head screw x 8
- I** Cover component x 4
- J** Small Allen key
- K** Medium Allen key

### **Cleaning instructions**

Laminate can be cleaned with a soft cloth wrung in a mild solution of lukewarm water and a universal cleaning detergent. For difficult stains such as coffee or tea, use a nylon bristle brush with a mild household cleaner or detergent, rinsing with clean water and repeating as necessary. Always wipe with a soft, dry cloth after cleaning.

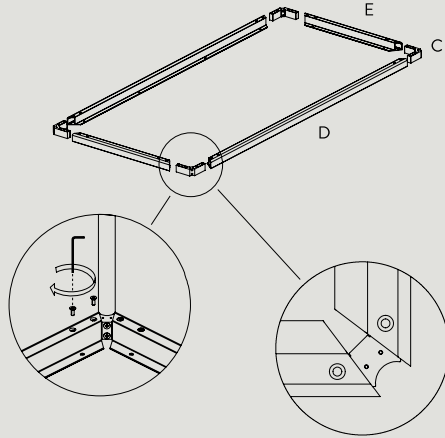
Aluminium (powder-coated or polished) can be cleaned using a soft cloth wrung in lukewarm water. Always dry immediately with a soft, dry cloth. Avoid using abrasive cleaning products such as steel wool as this will cause damage to the surface.

## Step 1 / 5

---

Insert the corner brackets (C) into the frames (D & E) as shown and fasten them with flat head screws (F). The two small holes on the corner brackets (C) must face upwards as per the illustration.

**Important:** Install the screws partially at first and then tighten once all are in place to secure a correct fit.

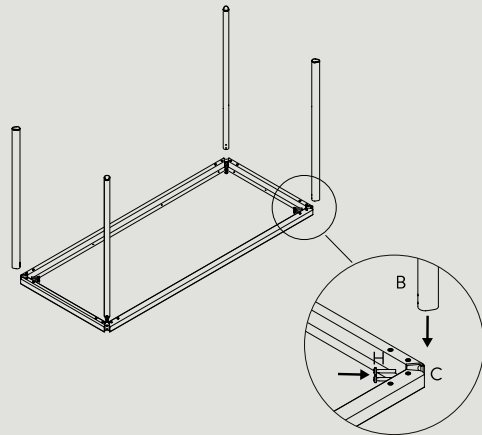


**NB!** Make sure the holes on the corner brackets (C) face upwards.

## Step 2 / 5

---

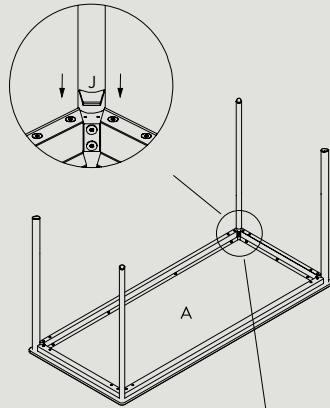
Align all four legs (B) with each corner bracket (C) and secure in place using two long flat head screws (H) as per the illustration.



### Step 3 / 5

---

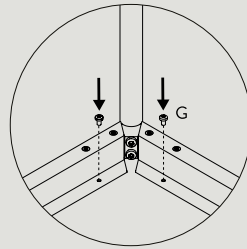
Place a cover component (I) on each of the four corners and click them into place.



### Step 4 / 5

---

Place the table top (A) upside down on a soft, flat surface and place the frame on top, upside down. Attach the frame to the table top using short button screws (G) on either side of the legs as per the illustration.



**Important:** Install the screws partially at first and then tighten once all are in place to secure a correct fit.

Finally, flip the table and enjoy your product.

### Step 5 / 5

---

Finally, double check that all screws are tight and secure. Then flip the table upright and enjoy your product.

