

Aava 02 Bar Stool

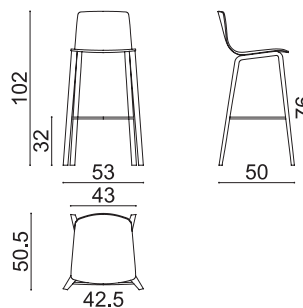
Design by Antti Kotilainen, 2023

Art. 7631

Stool on a 4-leg base and shell in plywood with a reconstituted oak or walnut finish. Base and shell can be configured in the same finish, or by combining various wood finishes. Glides are also available, with felt insert for wood floors. Seat height 76 cm.

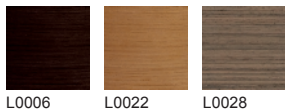


Dimensions *



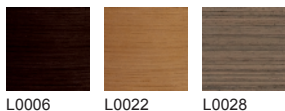
* File CAD 2D - 3D available for download at www.arper.com

Frame Base



Shell

Wood



arper

info@arper.com

www.arper.com

Aava 02 Bar Stool

Design by Antti Kotilainen, 2023


Accessories:

Seat cushion Art. 7642

SHIPMENT DETAILS

Art.7631

1 pz = 2  - kg 8,58/ m³ 0,318

4 pz = 5  - kg 30,66/ m³ 1,042

RESISTANCE TEST

TECHNICAL SPECIFICATIONS

FIRE RETARDANT TEST

arper

www.arper.com

info@arper.com