

# Aava 02 Bar Stool

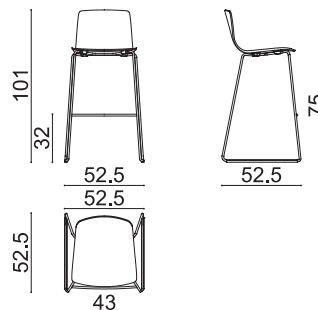
## Design by Antti Kotilainen, 2023

### Art. 7629

Stool on a sled base in chromed or powder-coated steel. Shell in plywood with a reconstituted oak or walnut finish. Glides are also available, with felt insert for wood floors. Seat height 75 cm.



Dimensions \*



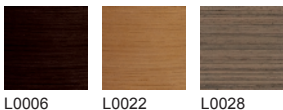
\* File CAD 2D - 3D available for download at [www.arper.com](http://www.arper.com)

Frame Base



Shell

Wood



- without tools up to 10 units
- with trolley up to 20 units

arper

info@arper.com

www.arper.com

# Aava 02 Bar Stool

## Design by Antti Kotilainen, 2023

---

Accessories:



Single trolley Art. 0500

Seat cushion Art. 7642

---

### SHIPMENT DETAILS

**Art.7629**

1 pz = 2  - kg 11,8/ m³ 0,337

4 pz = 2  - kg 34/ m³ 0,364

---

### TECHNICAL SPECIFICATIONS

---

### RESISTANCE TEST

---

### FIRE RETARDANT TEST

arper

www.arper.com

info@arper.com