

Cila

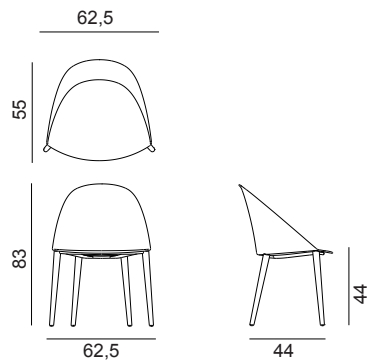
Design by Lievore Altherr, 2017

Art. 2204

Chair with timber oak four-leg base (natural oak, bleached oak, wengé). Polypropylene shell available in five colours. Optional glides with felt for wooden floors are available upon request.

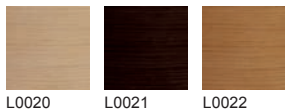


Dimensions *



* File CAD 2D - 3D available for download at www.arper.com

Frame Base



Shell

Polypropylene



arper

info@arper.com

www.arper.com


Cila

Design by Lievore Altherr, 2017

SHIPMENT DETAILS

Art.2204

1 pz = 2  - kg 10,43/ m³ 0,357

4 pz = 2  - kg 29,77/ m³ 0,422

TECHNICAL SPECIFICATIONS

Art.2204

*Classe 1, 2, 1IM: fire retardant version available with surcharge and eventual minimum batch

RESISTANCE TEST

- EN 1728:2012 - EN 16139:2013 6.15
- EN 1728:2012 - EN 16139:2013 6.17
- EN 1728:2012 - EN 16139:2013 6.24
- EN 1728:2012 - EN 16139:2013 6.4
- EN 1022:05
- EN 1728:2012 - EN 16139:2013 6. 6

- EN 1728:2012 - EN 16139:2013 6.16
- EN 1728:2012 - EN 16139:2013 6.18
- EN 1728:2012 - EN 16139:2013 6.25
- EN 1728:2012 - EN 16139:2013 6.5
- TUV GS (EN16139)

FIRE RETARDANT TEST

arper

www.arper.com
info@arper.com