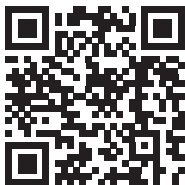
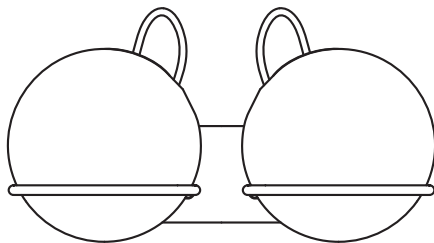


Model 237/2 & 238/2

G. Sarfatti, 1959

A
astep®



www.astep.design

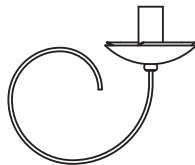
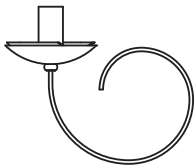
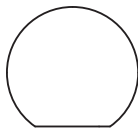
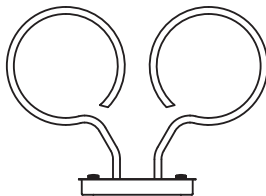
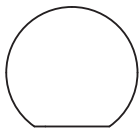
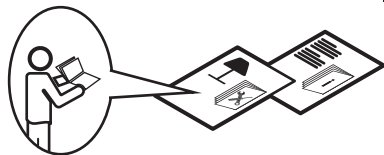
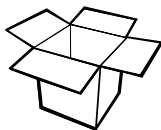


Model 237/2

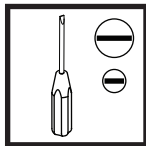
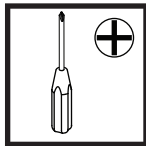
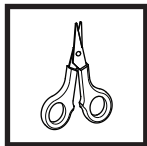
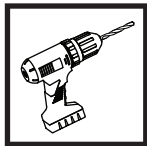
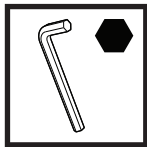
MAX 60W
E14 Opaline
220-240V

Model 238/2

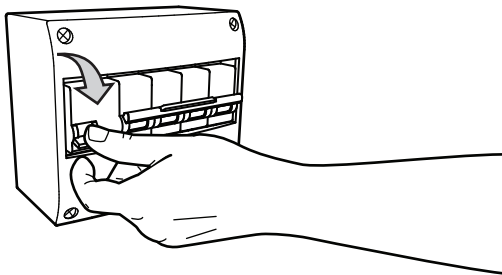
MAX 60W
E27 Opaline
220-240V



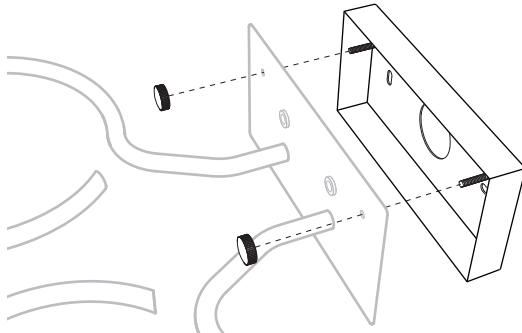
03



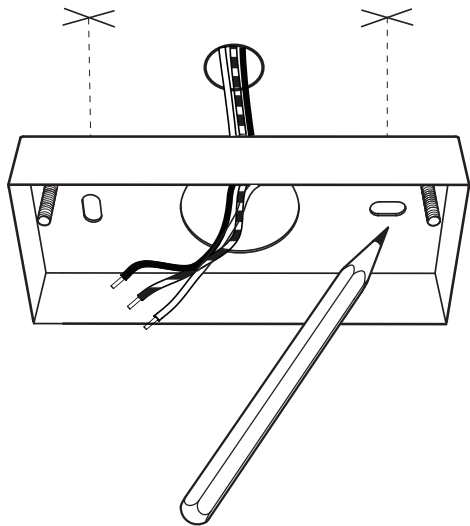
04



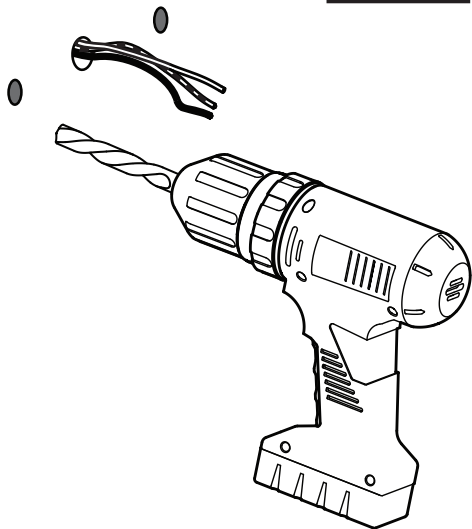
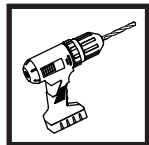
05



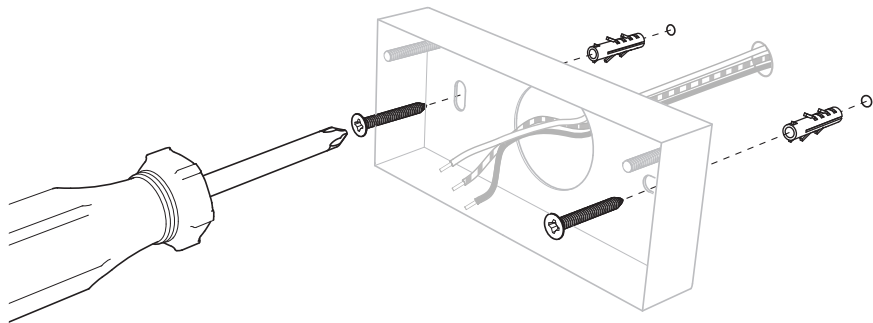
06



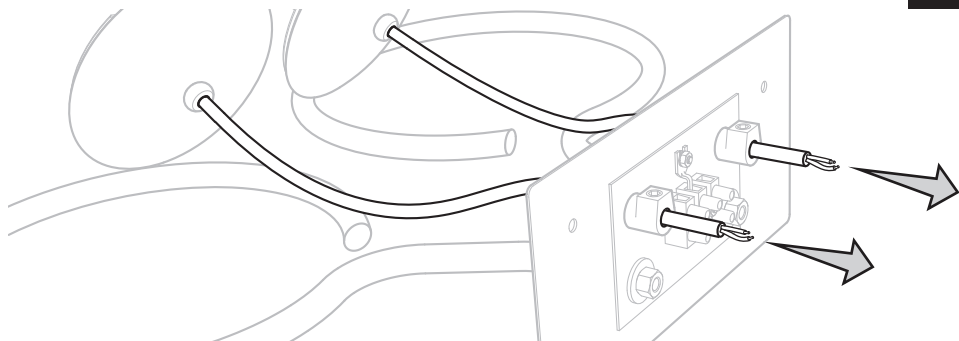
07

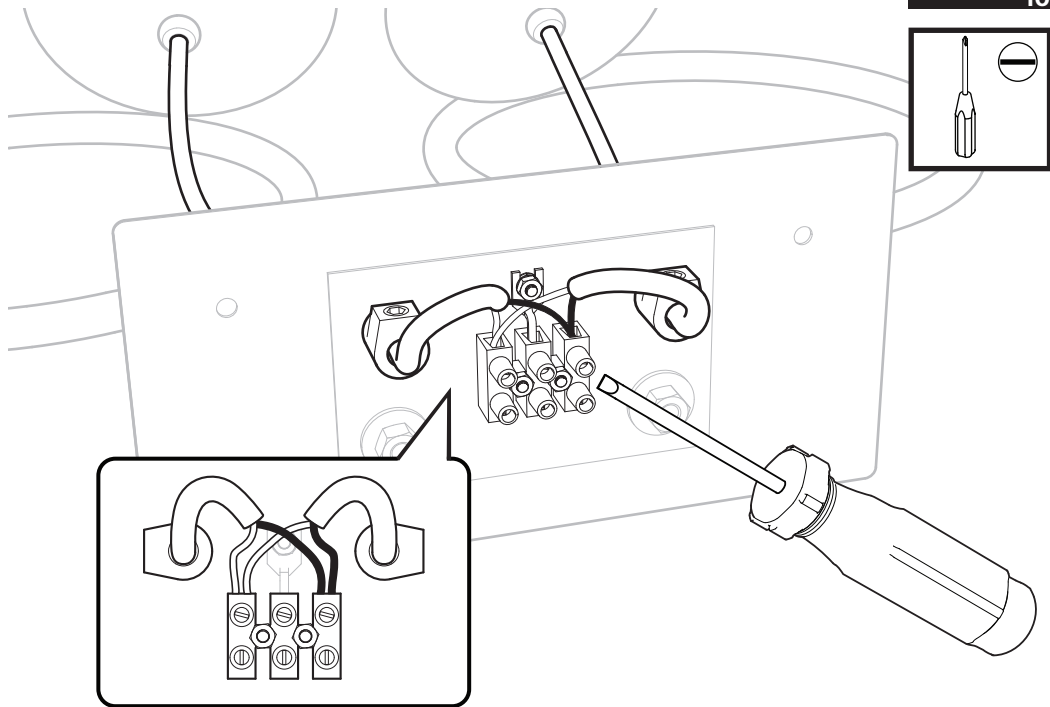


08

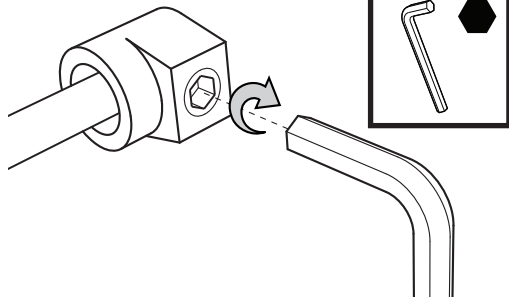


09

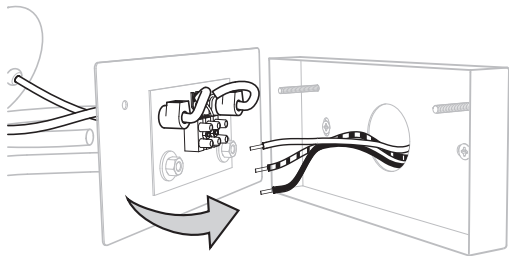




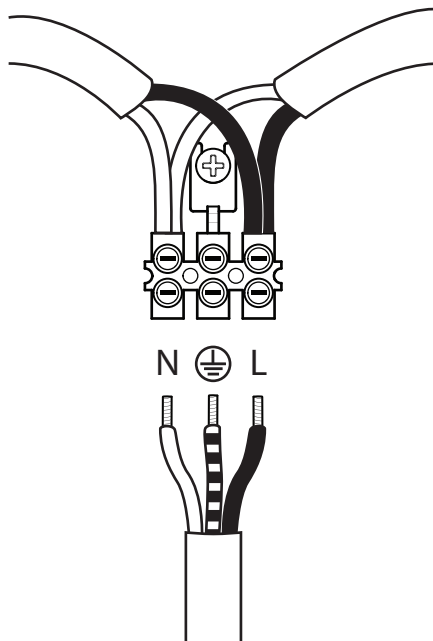
11

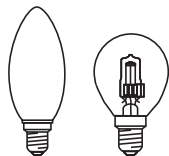
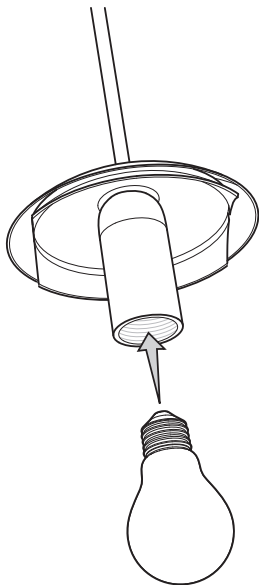
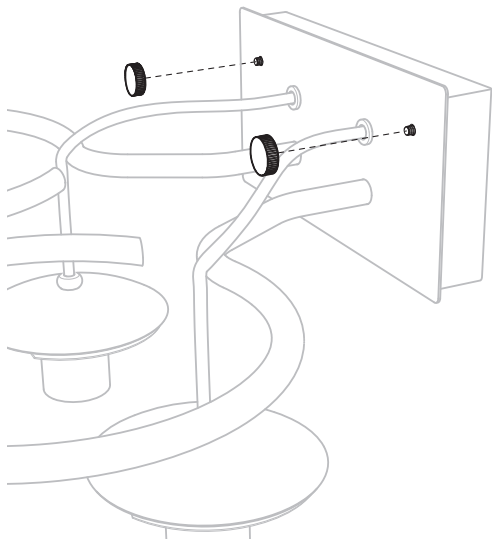


12



13





Model 237/2

E14 Opaline

60W Max

LED / Halogen

220-240 V

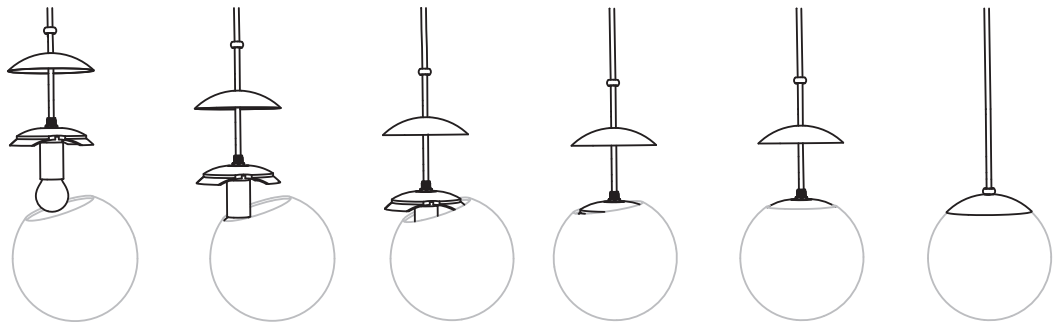
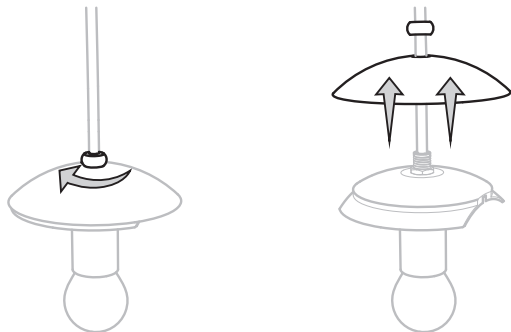
Model 238/2

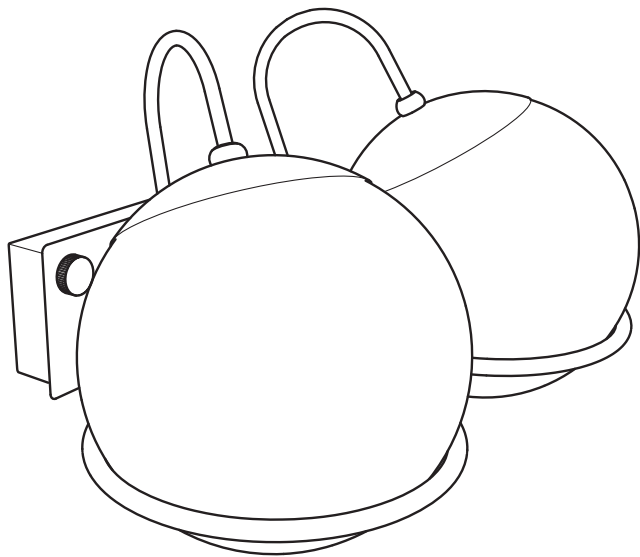
E27 Opaline

60W Max

LED / Halogen

220-240 V







astep[®]

Vermundsgade 40B ST
2100 Copenhagen Ø
Denmark

+45 70 70 50 01

www.astep.design